

Manual de montaje

natuur
FUNNY IS SMART

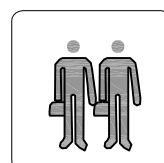
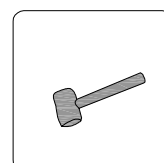
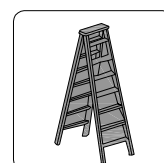
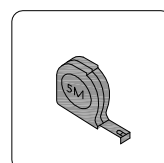
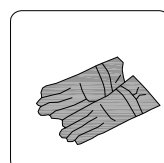
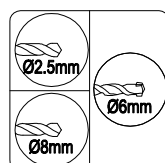
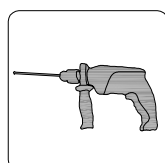
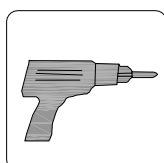
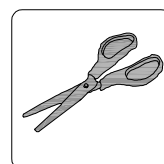
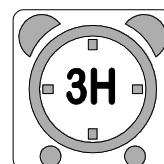
CASETA RESINA AVE C/SUELO 134X192X204CM

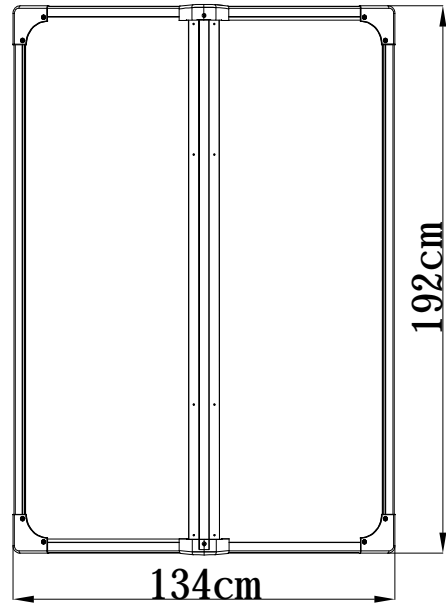
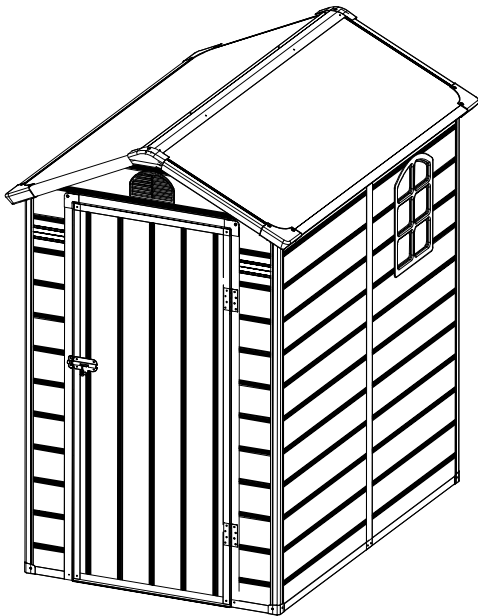
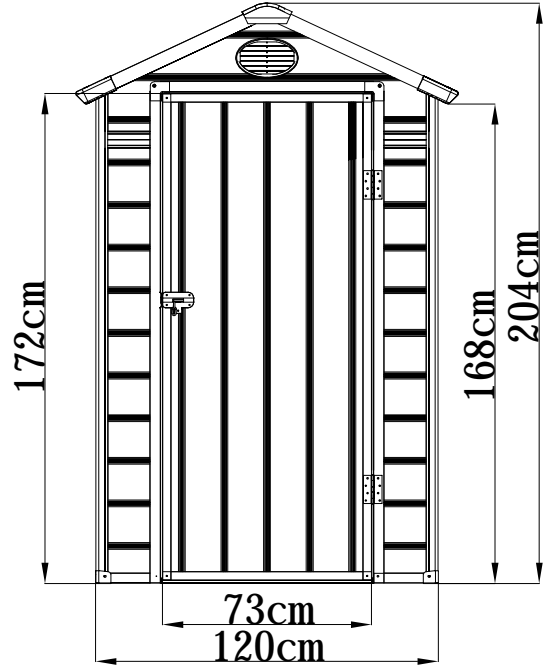
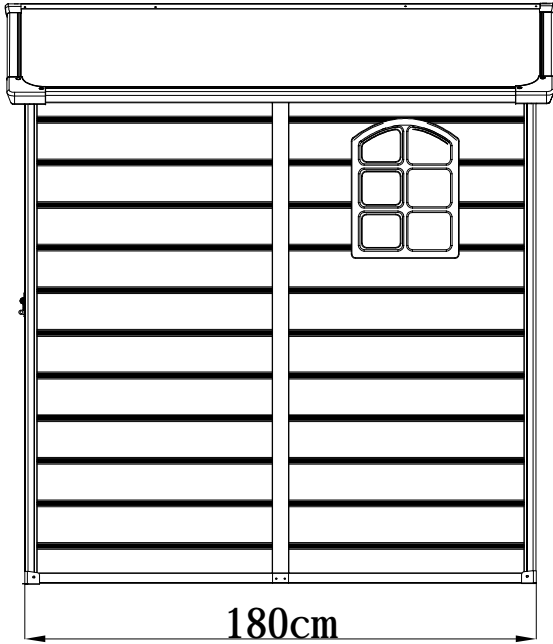
AVE-B 4x6

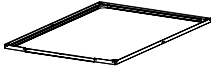

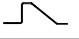




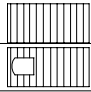
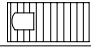
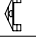






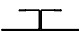
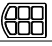
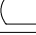

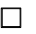

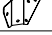





REF: 23024971



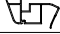
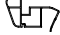



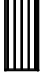

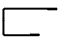
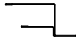


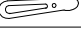











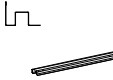
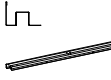
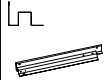
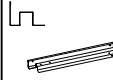
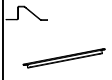
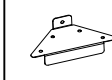

Importado por:
NEOPRO SERV. INT. DE FTRIA.,S.L.
B10898260
Rosalind Franklin 30
28906 Getafe (Madrid)
Fabricado en China

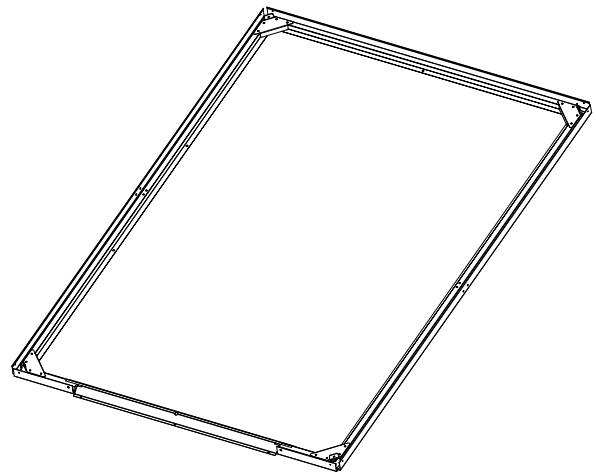
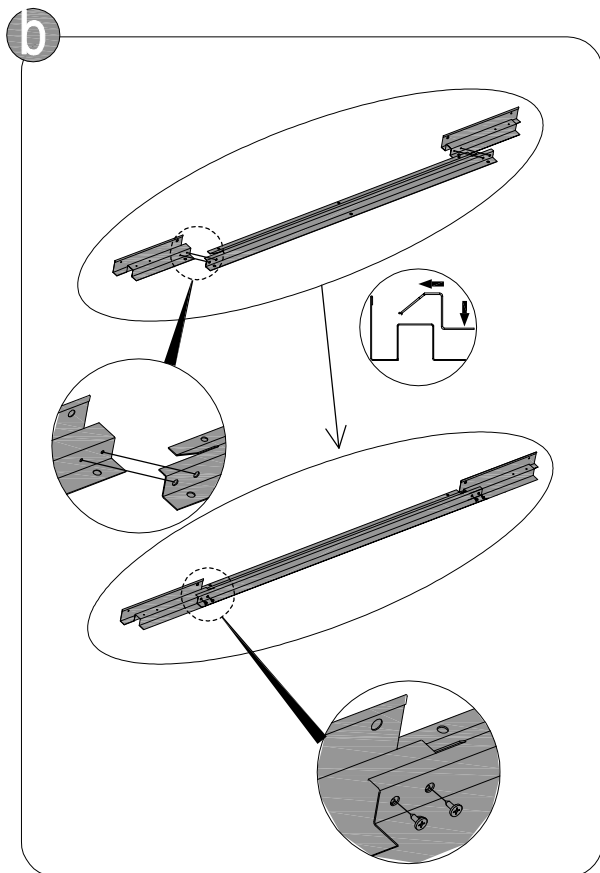
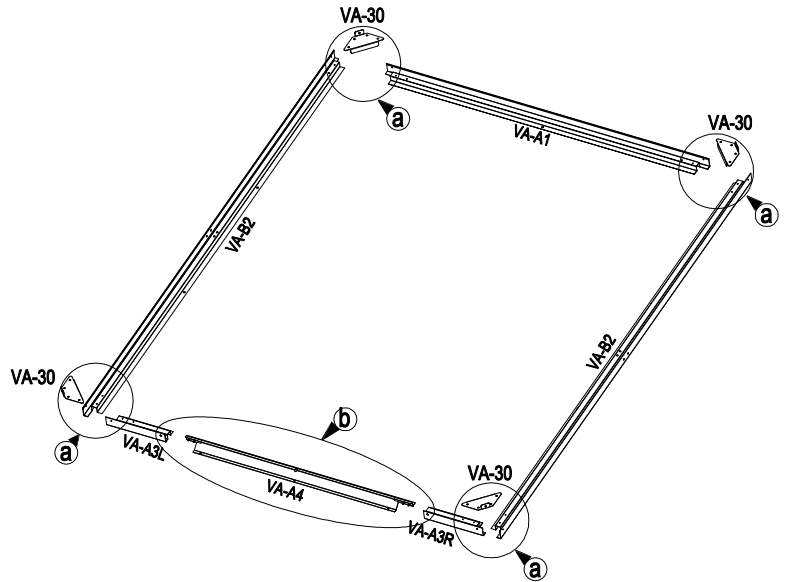
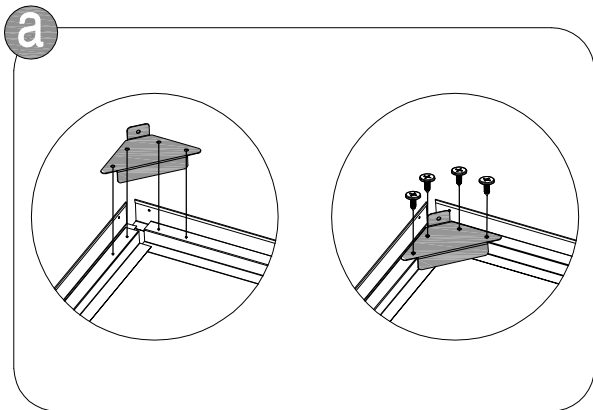




				
VA-A1		1185mm	x1	1/1
VA-B2		1780mm	x2	1/1
VA-A3R		217mm	x1	1/1
VA-A3L		217mm	x1	1/1
VA-A4		830mm	x1	1/1
VA-30			x4	1/1
VA-31			x4	1/1
VA-37b			x2	1/1
				
PA1		876X1740mm	x3	1/1
PA1S		876X1740mm	x1	1/1
PA2E		1160X448mm	x1	1/1
PA3E		1160X896mm	x1	1/1
PA5		205X1548mm	x2	1/1
PA4		1160X1100mm	x1	1/1
VA-A8		1155mm	x1	1/1
VA-A9		200mm	x2	1/1
VA-A11		1155mm	x1	1/1
VA-A12		200mm	x2	1/1
VA-A7R		1760mm	x2	1/1
VA-A7L		1760mm	x2	1/1
VA-B5		1740mm	x2	1/1
PPX12			x1	1/1
W2S			x1	1/1
PPX13			x1	1/1
VA-B17		1797mm	x2	1/1
VA-36			x2	1/1
VA-32R			x2	1/1
VA-32L			x2	1/1
PPX14			x2	1/1
PPX8			x2	1/1
PPX9			x2	1/1
VA-35			x2	1/1

				
PA6-B		1865X1433mm	x1	1/1
VA-B21		564mm	x4	1/1
VA-B22		1705mm	x2	1/1
PPX3			x4	1/1
PPX4			x2	1/1
VA-B24		1900mm	x1	1/1
				
PA7S		1710X735	x1	1/1
VA-A27		1712	x2	1/1
VA-A28		735	x2	1/1
VA-A25R		1730	x1	1/1
VA-A25L		1730	x1	1/1
VA-A26		748	x1	1/1
VA-41			x2	1/1
VA-40			x1	1/1
CN-A33			x2	1/1
PA01			x3	1/1
VA-B44		ST4.2x13mm	x152	1/1
VA-B45		ST4.2x19mm	x97	1/1
VA-B46		ST4.2x13mm	x6	1/1
VA-B47		ST4.2x19mm	x4	1/1
VA-B48		ST6.0x40mm	x8	1/1
VA-51			x1	1/1
VA-55			x1	1/1
VA-DB02		860x1125mm	x2	1/1

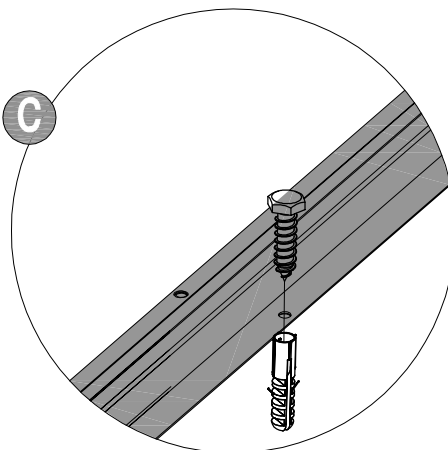
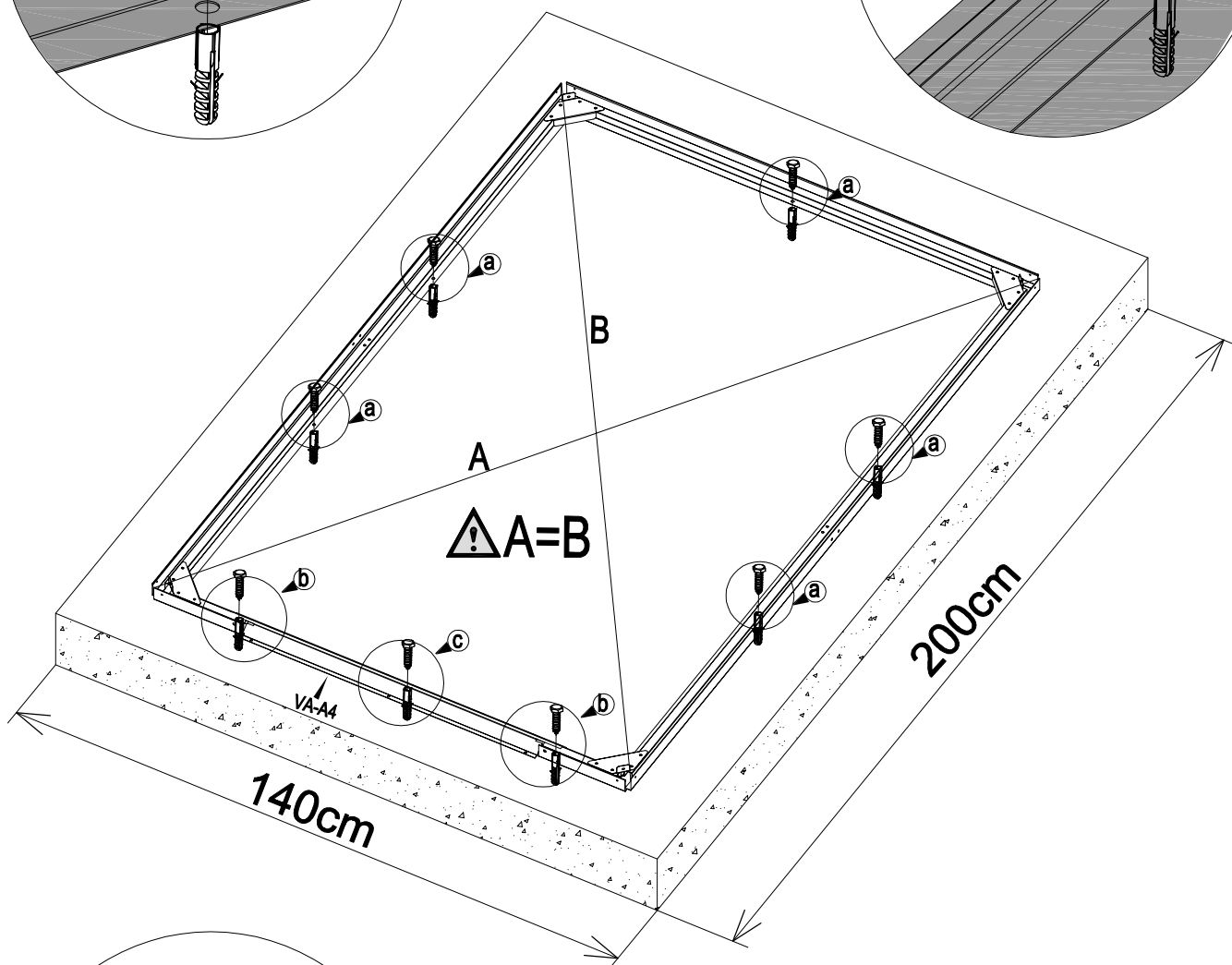
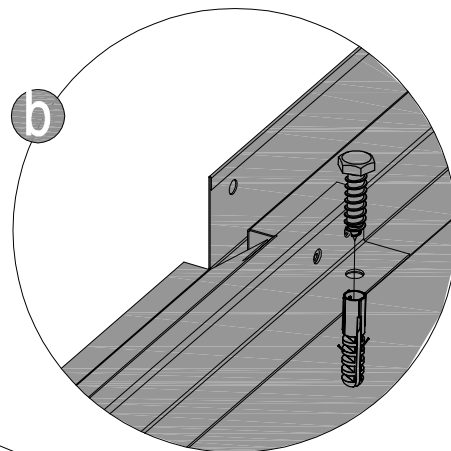
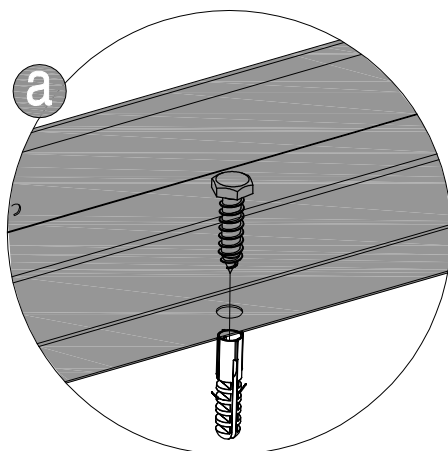
1	 VA-A1 [x1] 1185mm	 VA-B2 [x2] 1780mm	 VA-A3L [x1] 217mm	 VA-A3R [x1] 217mm	 VA-A4 [x1] 830mm	 VA-30 [x4]	 VA-B44 [x20] 13mm	
----------	-----------------------------------------------------------------------------------------------------------	-----------------------------------------------------------------------------------------------------------	-----------------------------------------------------------------------------------------------------------	-----------------------------------------------------------------------------------------------------------	----------------------------------------------------------------------------------------------------------	-------------------------------------------------------------------------------------------------	------------------------------------------------------------------------------------------------------------	--



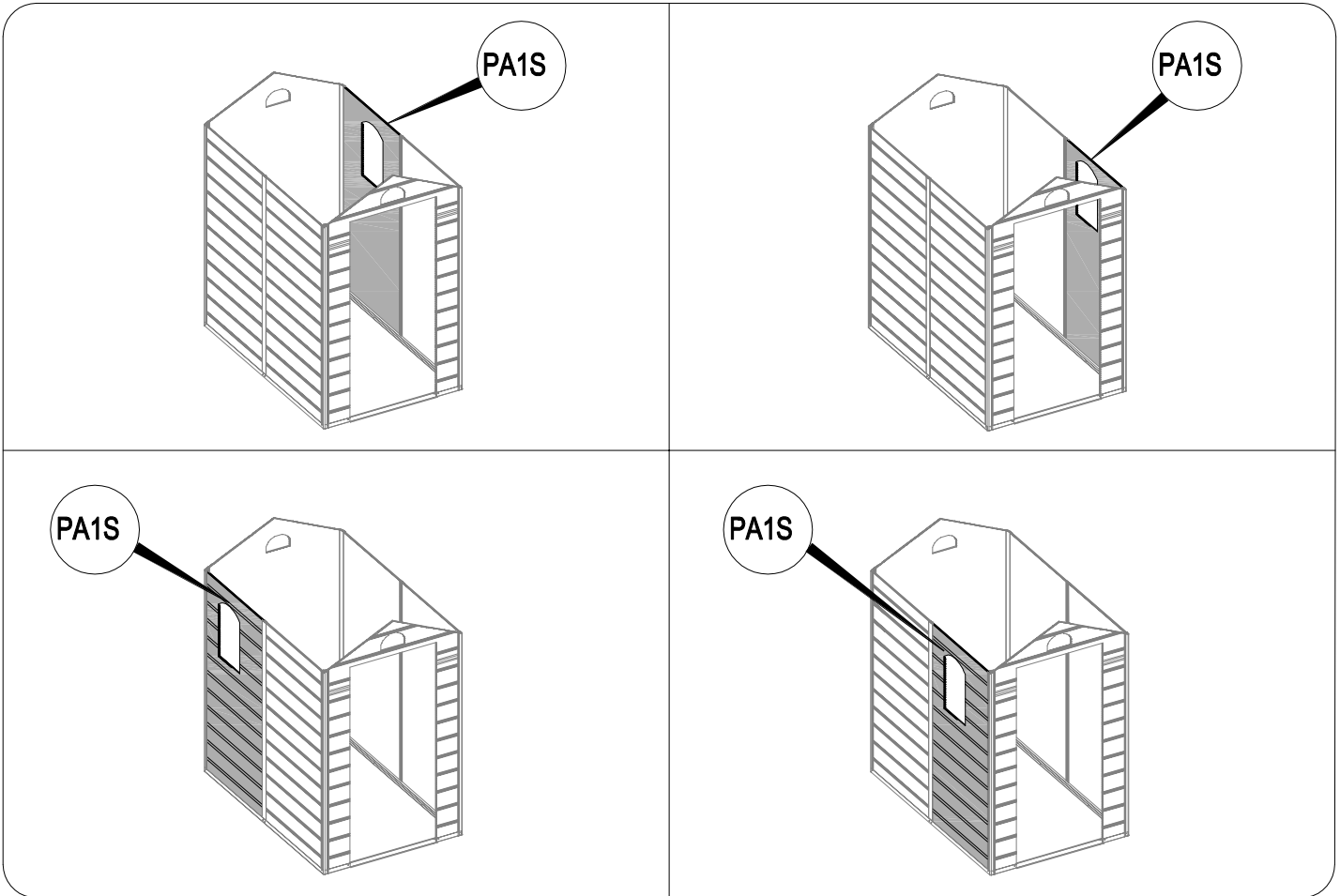
2


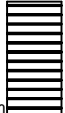




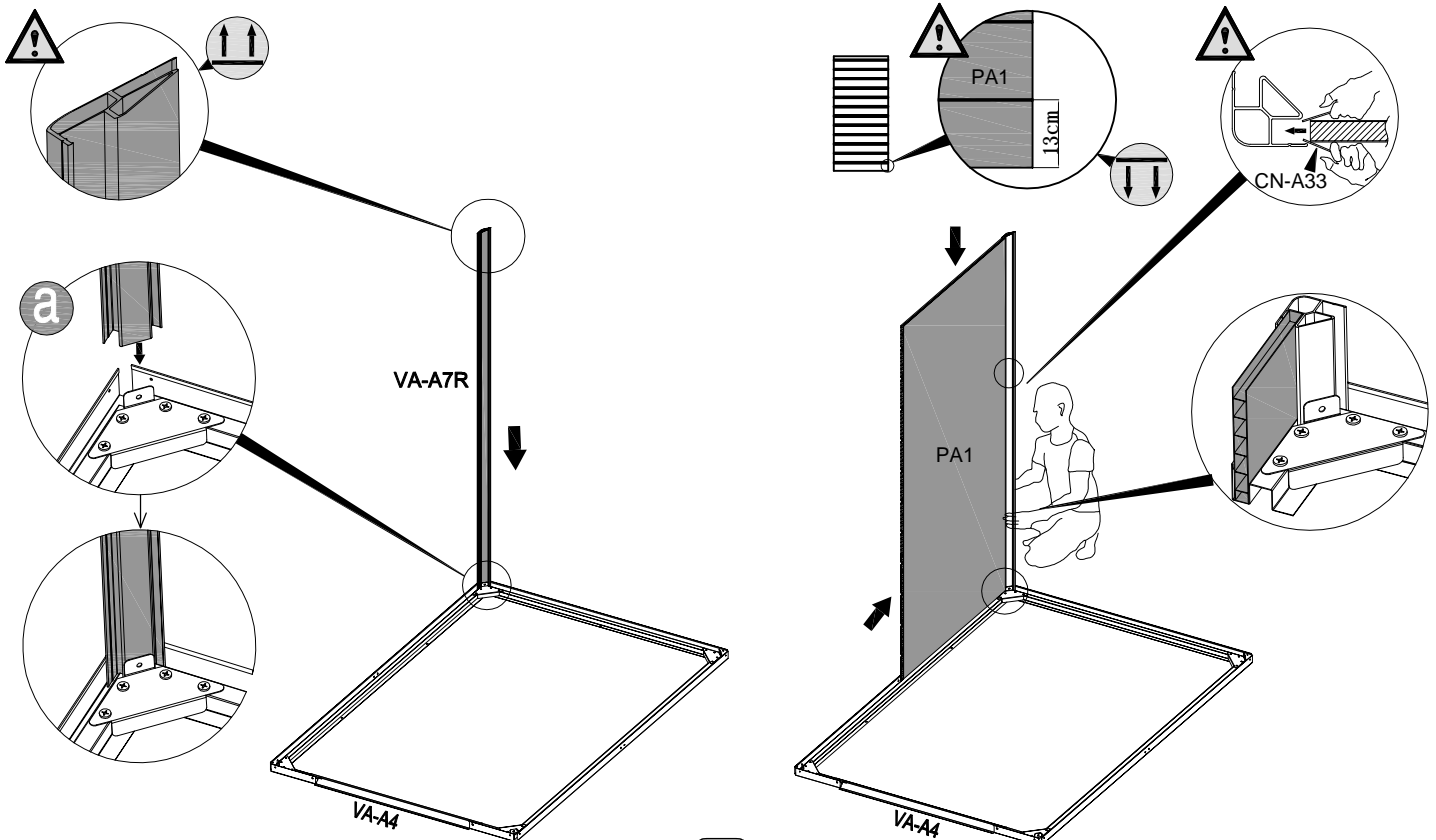
VA-B48 [x8]
40mm







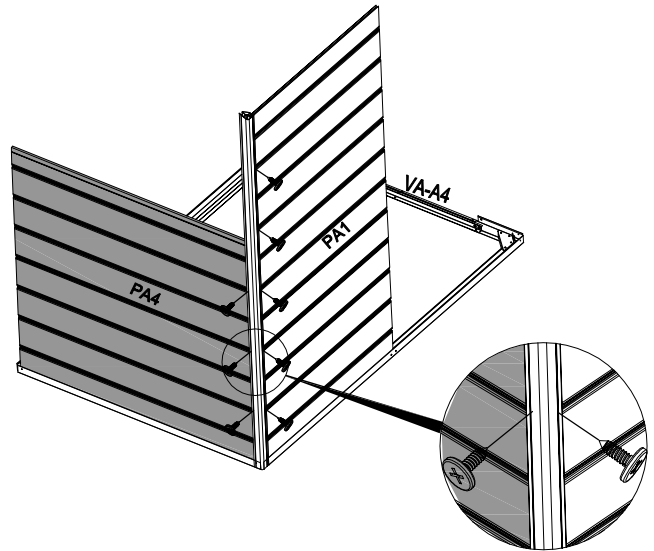
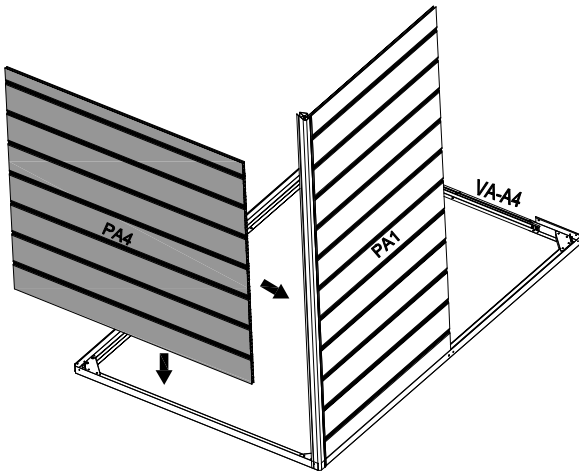
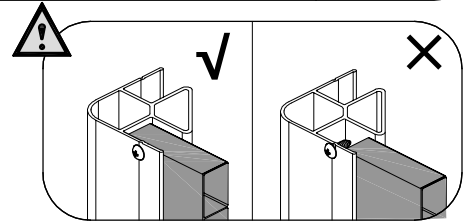
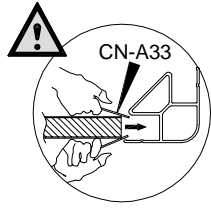
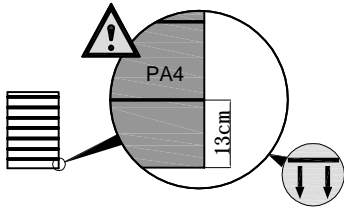
2


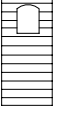





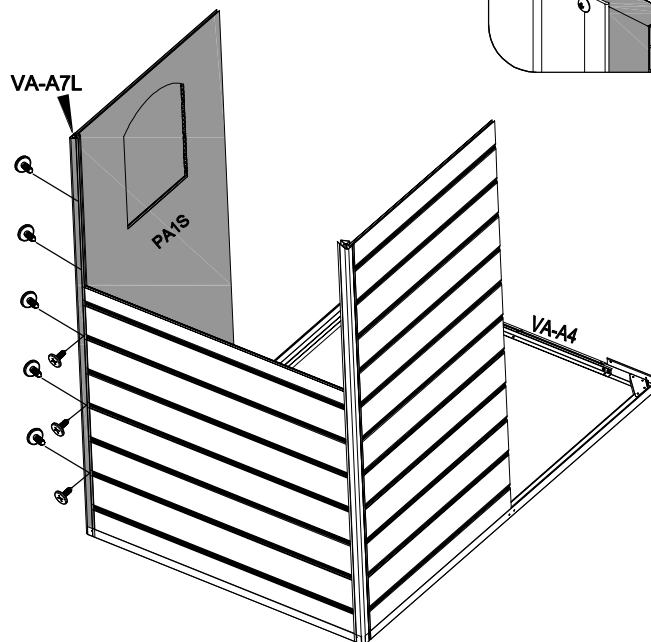
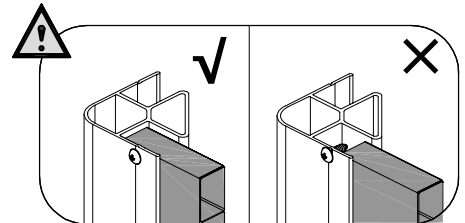
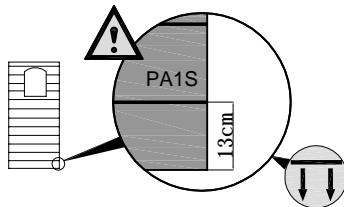
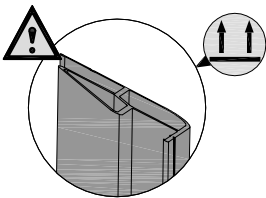
<p>3</p>	 <p>VA-A7R [x1] 1760mm</p>	 <p>PA1 [x1] 876x1740mm</p>	 <p>CN-A33</p>	
-----------------	-------------------------------------------------------------------------------------------------------------------	--------------------------------------------------------------------------------------------------------------------	---------------------------------------------------------------------------------------------------	---------------------------------------------------------------------------------------



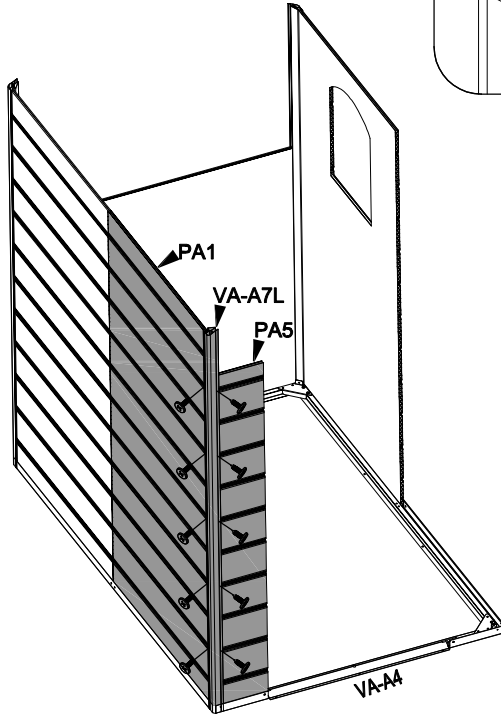
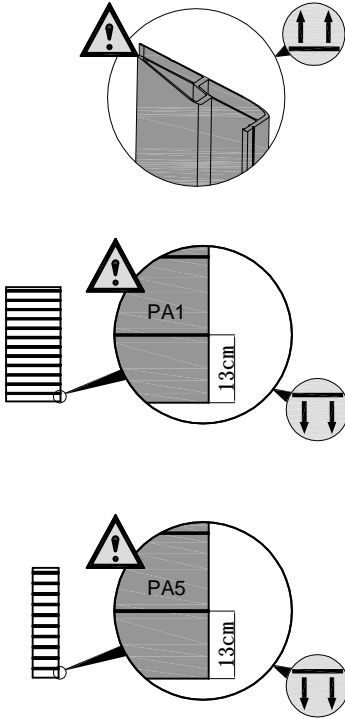
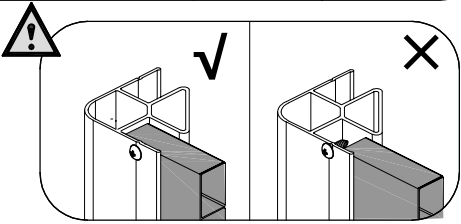
4	 PA4 [x1] 1160x1100mm	 VA-B45 [x8] 19mm	 CN-A33		
----------	--------------------------------------------------------------------------------------------------------------	----------------------------------------------------------------------------------------------------------	---------------------------------------------------------------------------------------------	--	-------------------------------------------------------------------------------------



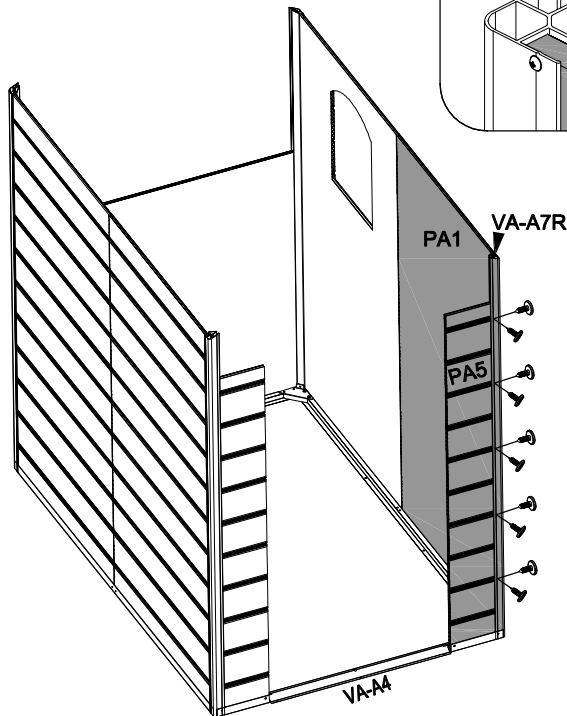
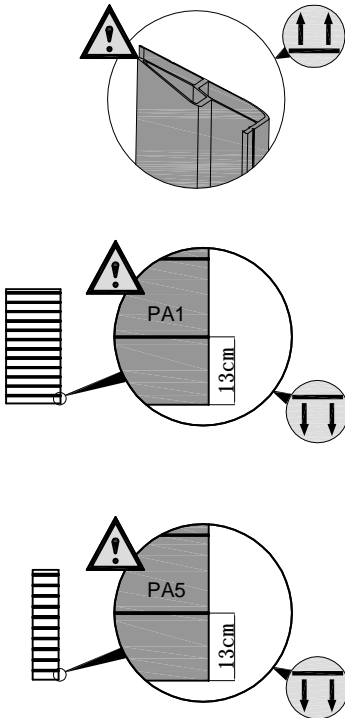
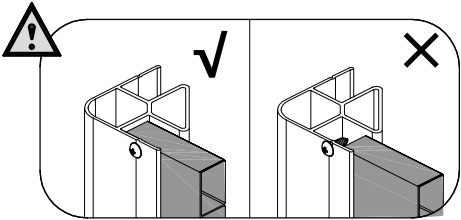
5	 VA-A7L [x1] 1760mm	 PA1S [x1] 876x1740mm	 VA-B45 [x8] 19mm	 CN-A33	
----------	--------------------------------------------------------------------------------------------------------------	----------------------------------------------------------------------------------------------------------------	------------------------------------------------------------------------------------------------------------	------------------------------------------------------------------------------------------------	---------------------------------------------------------------------------------------



6	VA-A7L [x1] 1760mm	PA1 [x1] 876x1740mm	PA5 [x1] 205x1548mm	VA-B45 [x10] 19mm	CN-A33	
----------	-----------------------	------------------------	------------------------	----------------------	--------	--



7	VA-A7R [x1] 1760mm	PA1 [x1] 876x1740mm	PA5 [x1] 205x1548mm	VA-B45 [x10] 19mm	CN-A33	
----------	-----------------------	------------------------	------------------------	----------------------	--------	--



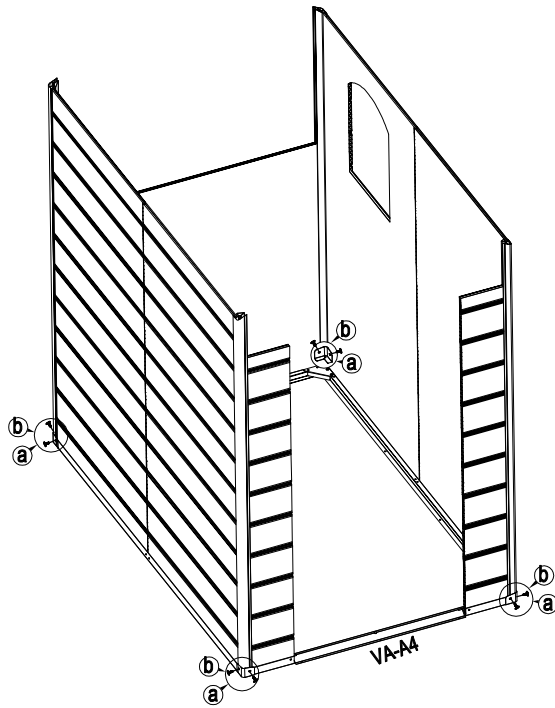
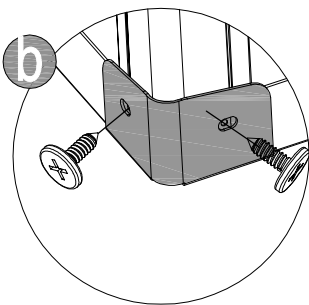
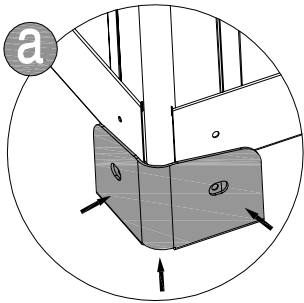
8



VA-31 [x4]



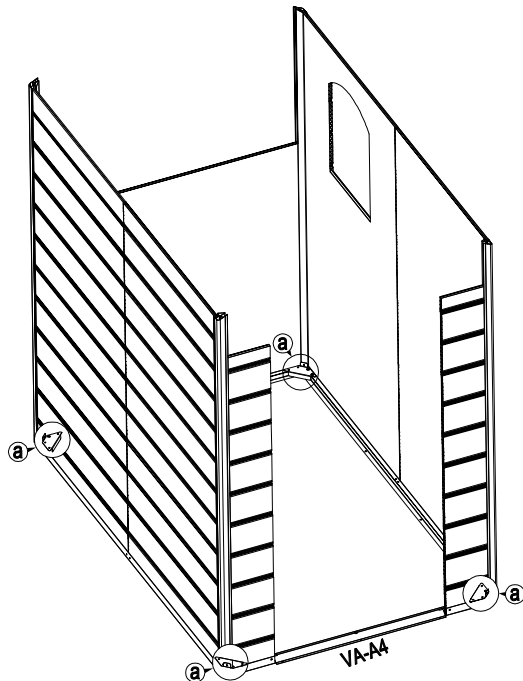
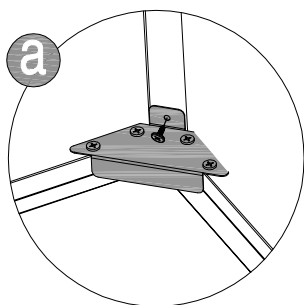
VA-B44 [x8]
13mm



9



VA-B44 [x4]
13mm

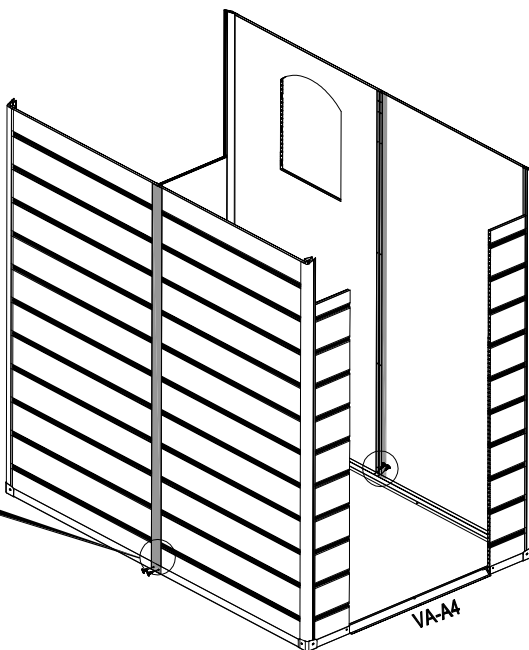
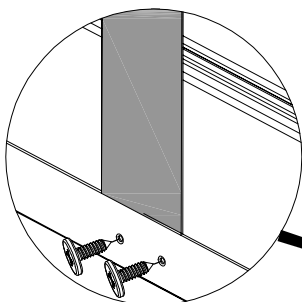
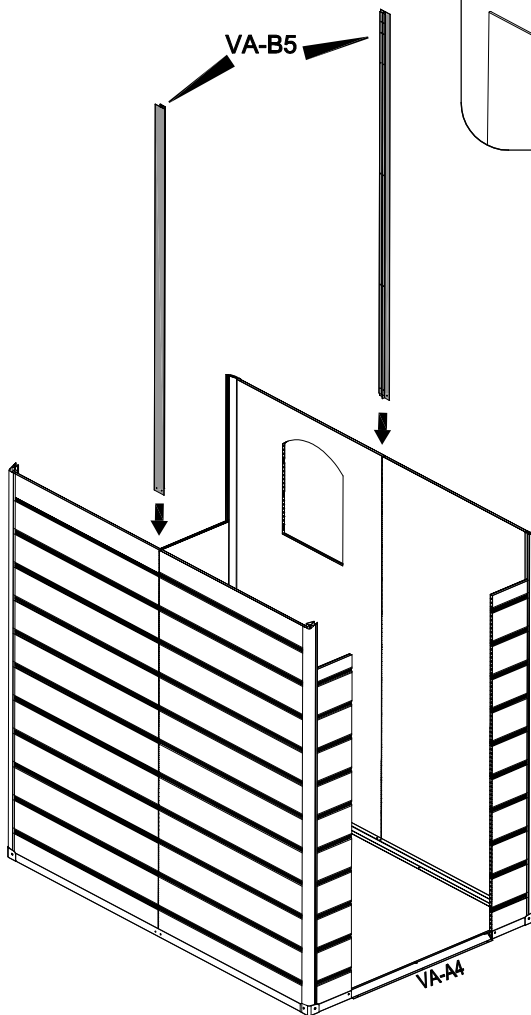
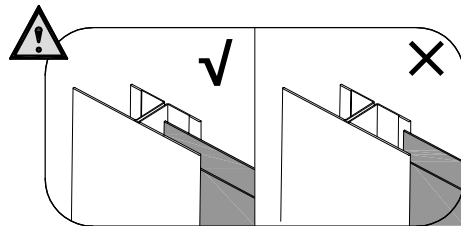
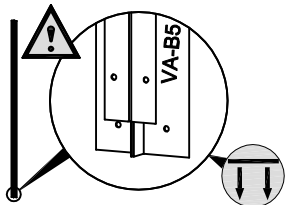


10

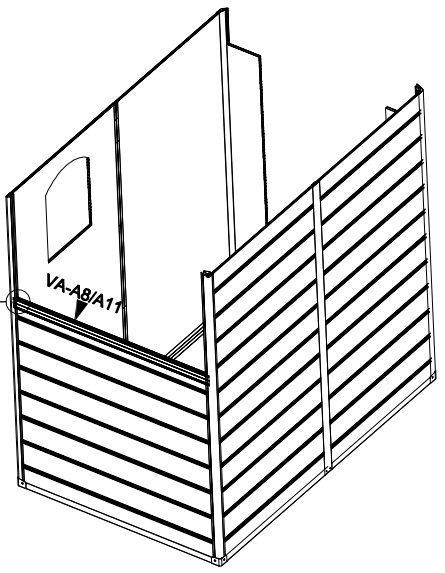
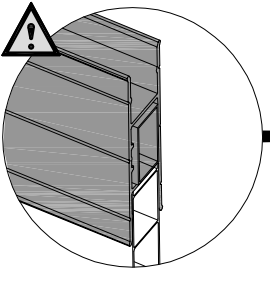
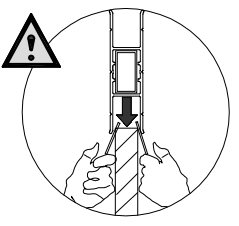
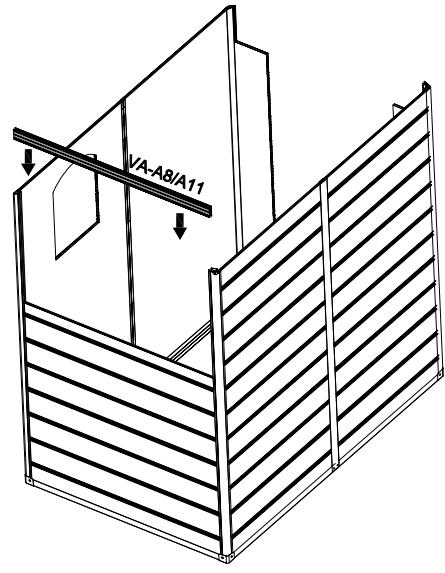
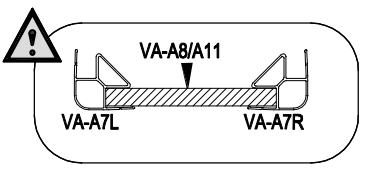
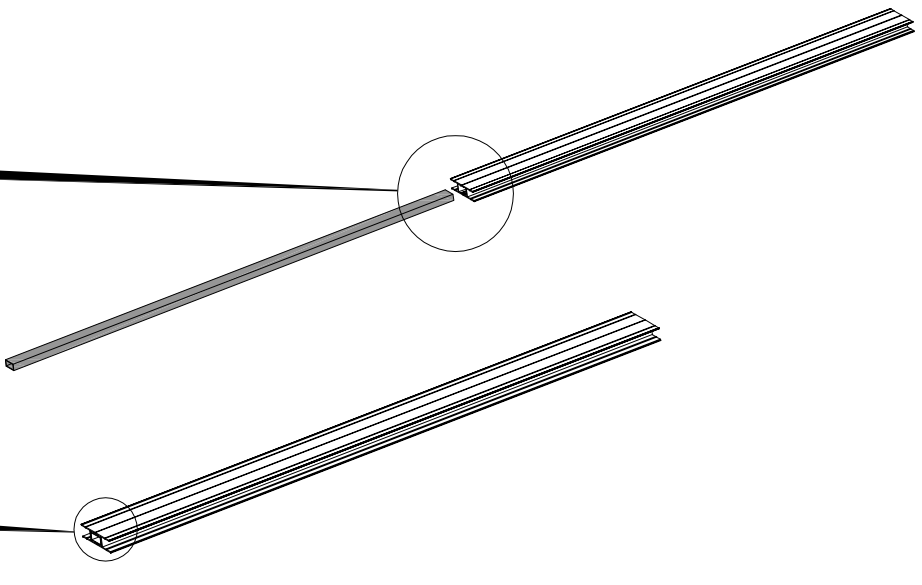
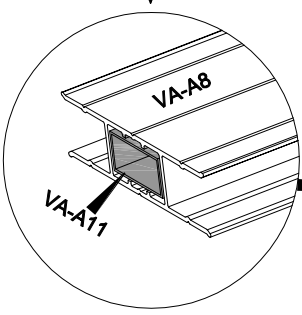
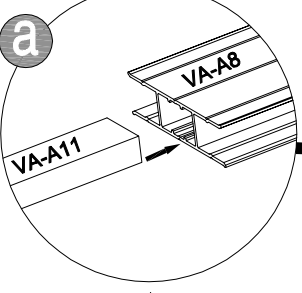
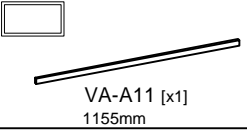
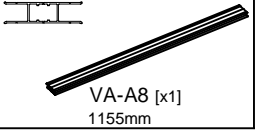
VA-B5 [x4]
1740mm

VA-B44 [x4]
13mm

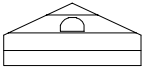



CN-A33

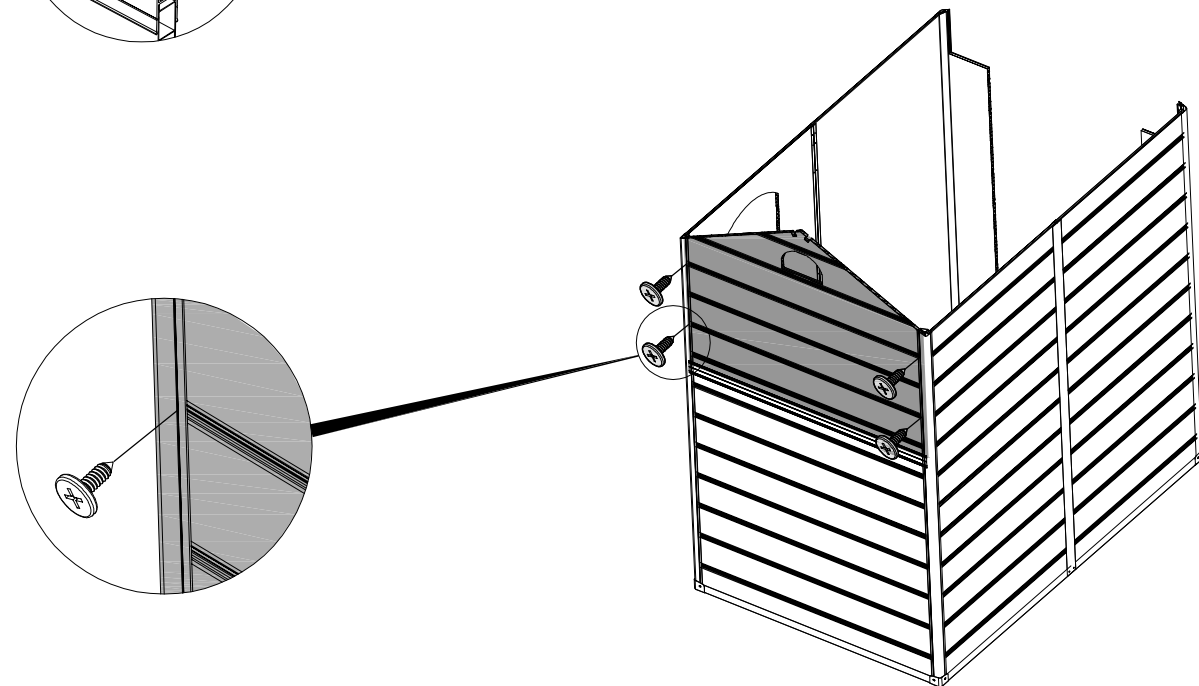
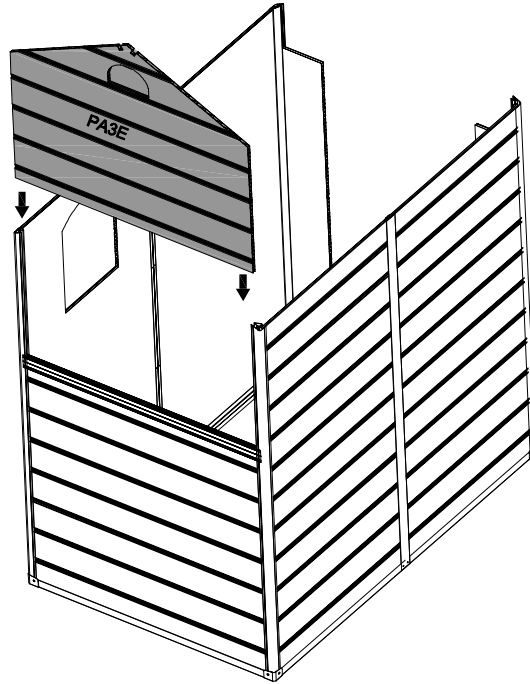
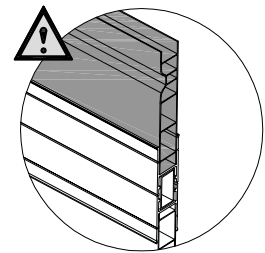
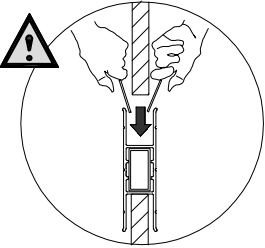
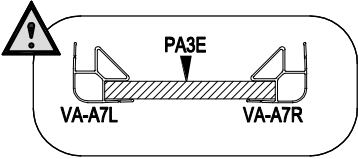


11

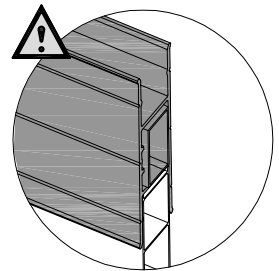
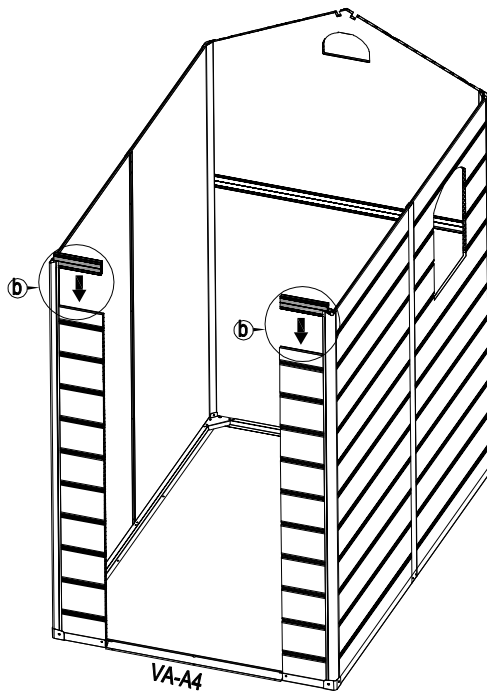
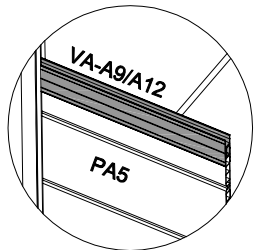
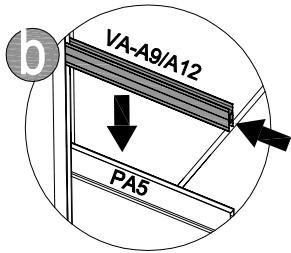
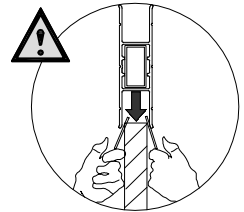
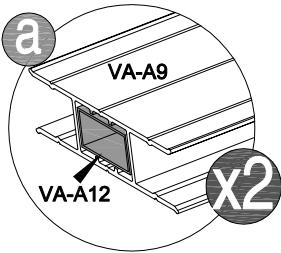


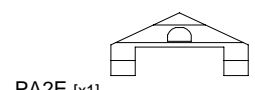
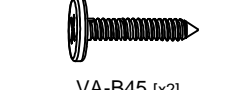
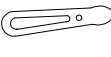


8

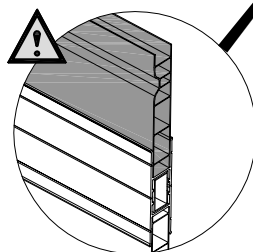
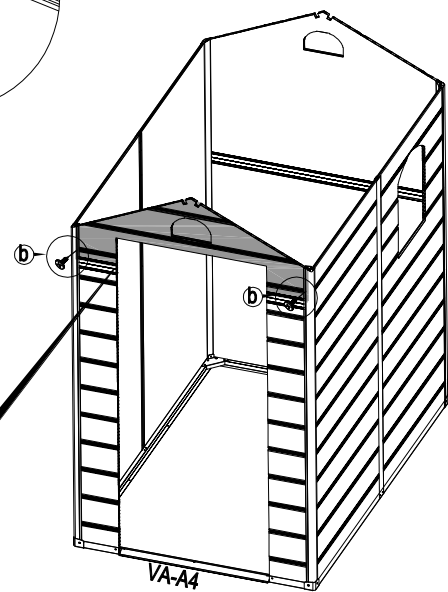
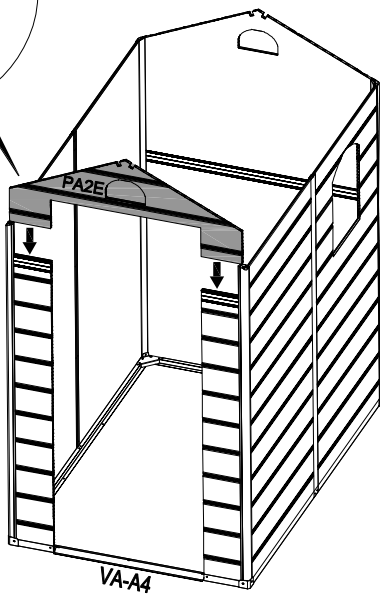
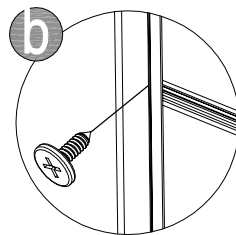
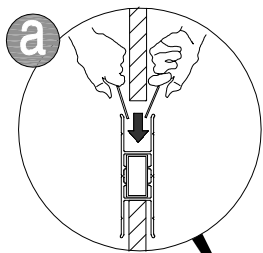
12	 <p>PA3E [x1] 1160x896mm</p>	 <p>VA-B45 [x4] 19mm</p>	 <p>CN-A33</p>	
----	-------------------------------------------------------------------------------------------------------------------	---------------------------------------------------------------------------------------------------------------	-------------------------------------------------------------------------------------------------	-------------------------------------------------------------------------------------



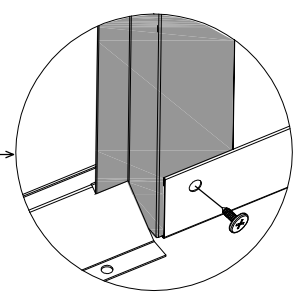
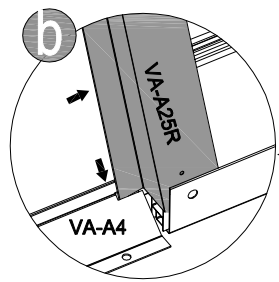
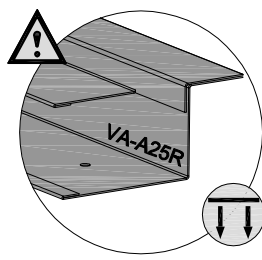
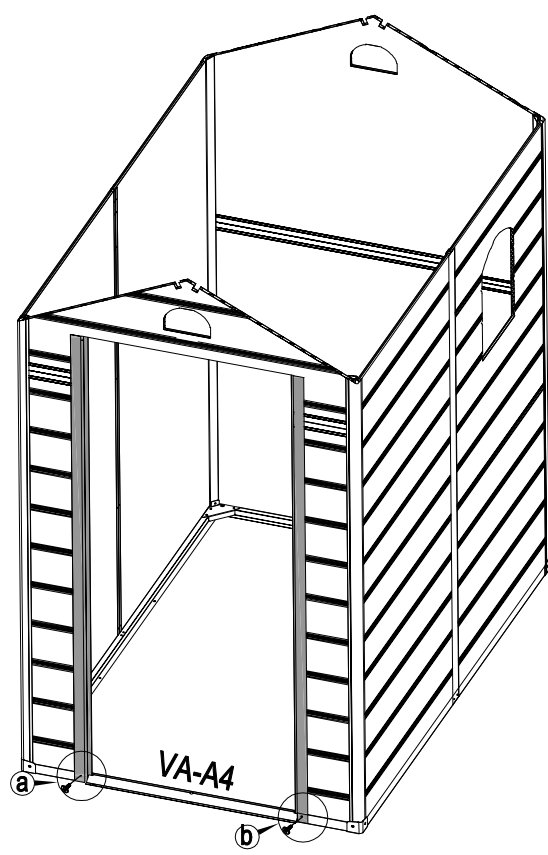
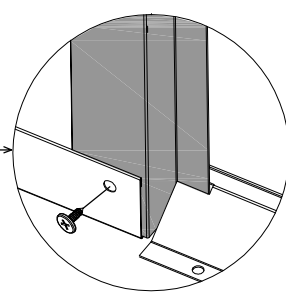
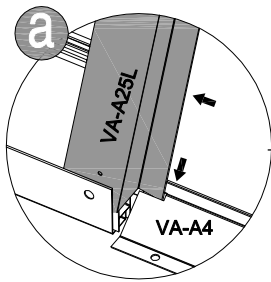
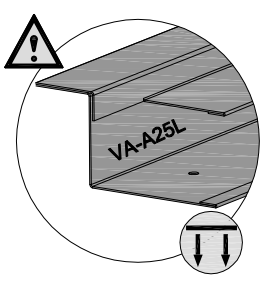
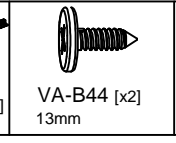
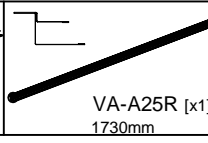
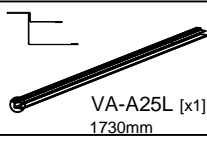
13	 <p>VA-A9 [x2] 200mm</p>	 <p>VA-A12 [x2] 200mm</p>		 <p>CN-A33</p>	
----	---------------------------------------------------------------------------------------------------------------	----------------------------------------------------------------------------------------------------------------	--	---------------------------------------------------------------------------------------------------	-------------------------------------------------------------------------------------



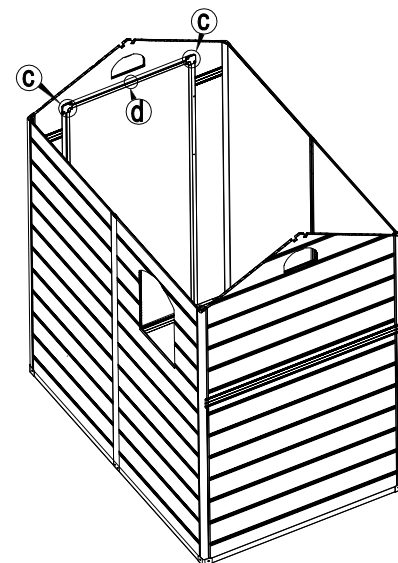
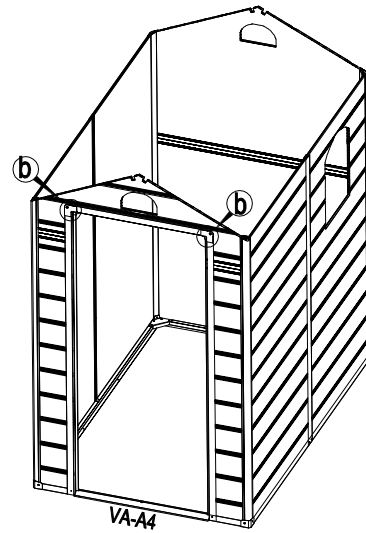
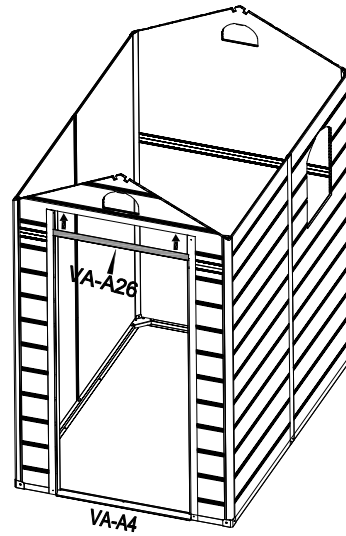
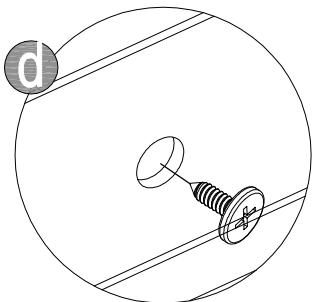
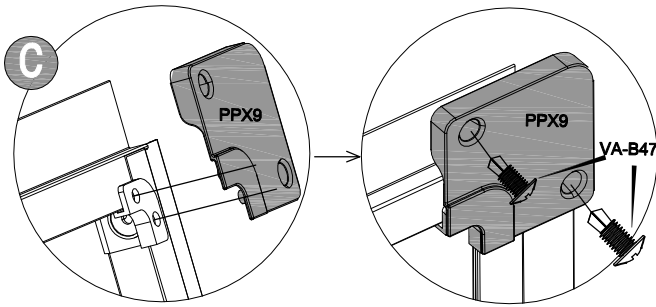
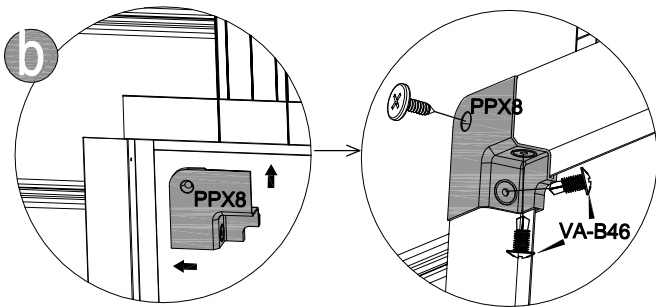
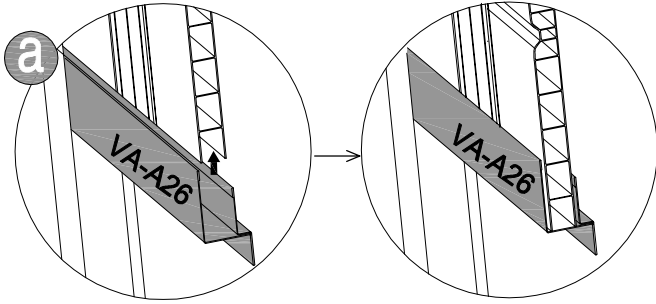
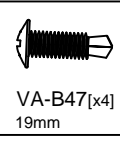
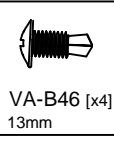
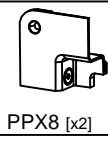
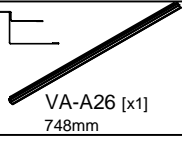
14	 <p>PA2E [x1] 1160x448mm</p>	 <p>VA-B45 [x2] 19mm</p>	 <p>CN-A33</p>		
----	---------------------------------------------------------------------------------------------------------------------	-----------------------------------------------------------------------------------------------------------------	---------------------------------------------------------------------------------------------------	---------------------------------------------------------------------------------------	---------------------------------------------------------------------------------------



15



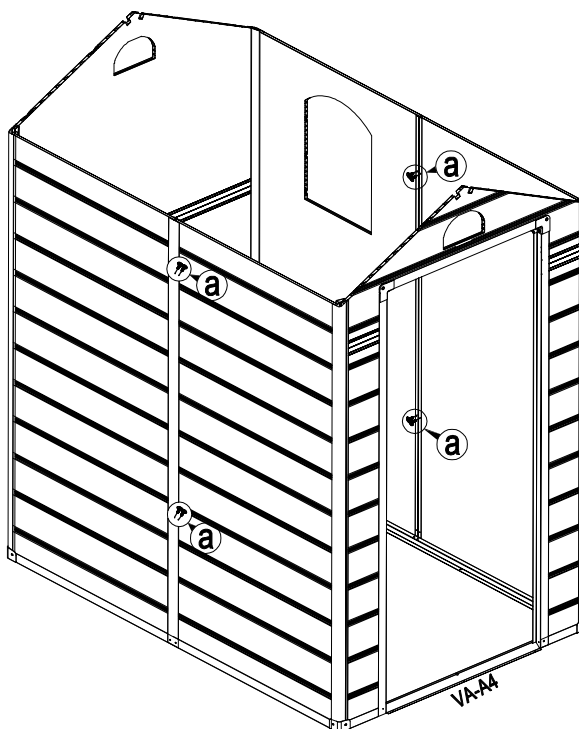
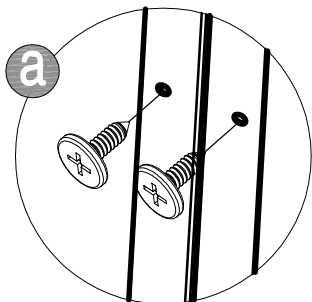
16



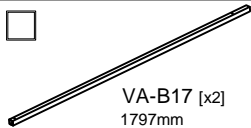
17



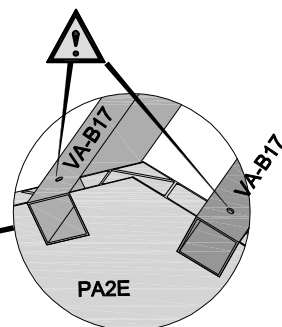
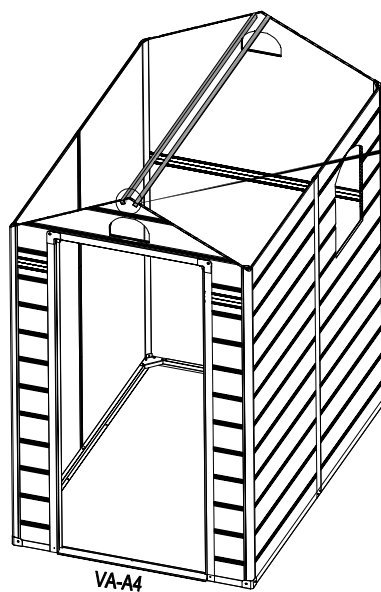
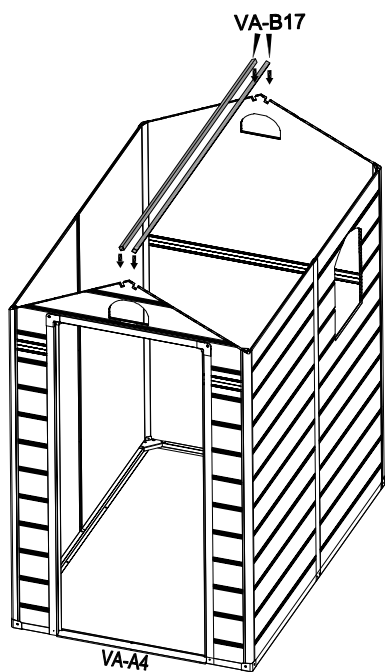
VA-B44 [x8]
13mm



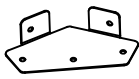
18



VA-B17 [x2]
1797mm



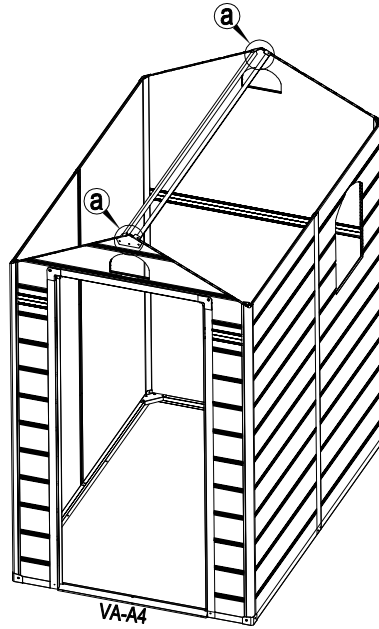
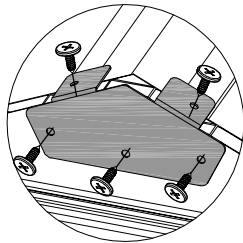
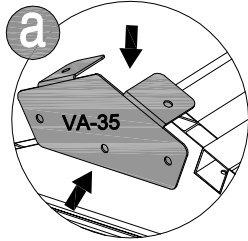
19



VA-35 [x2]



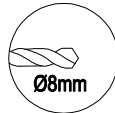
VA-B44 [x10]
13mm



20



VA-B22 [x2]
1705mm



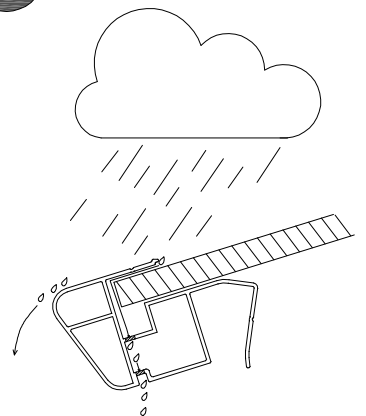
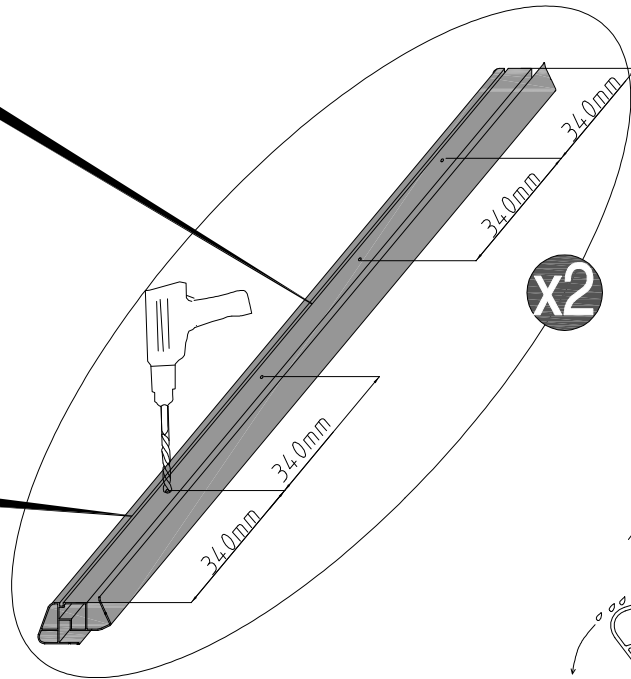
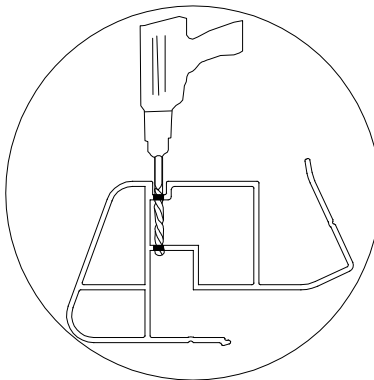
Ø8mm

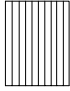




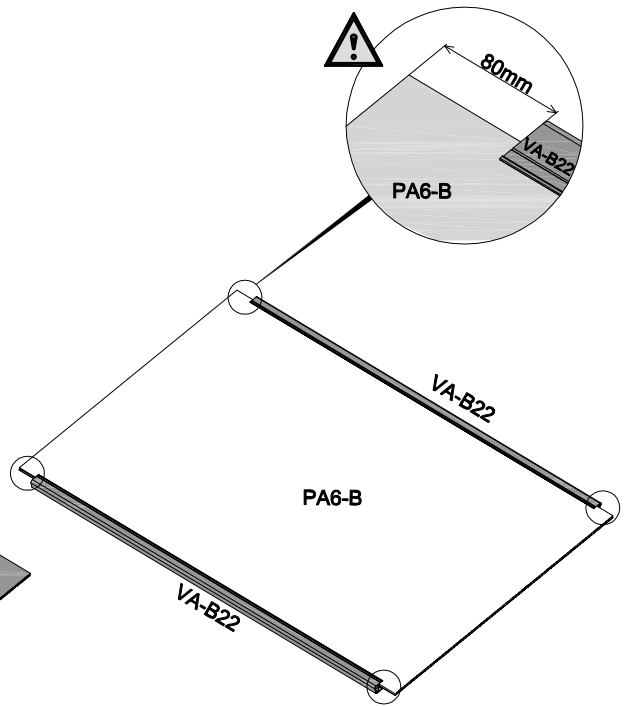
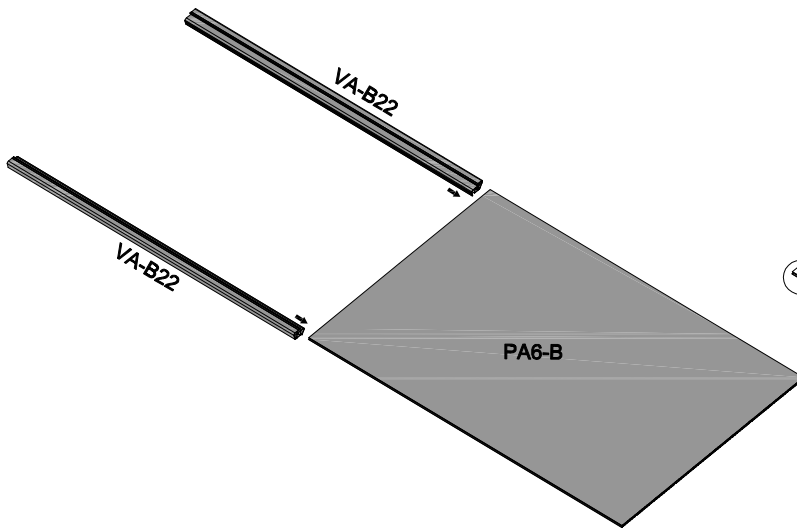
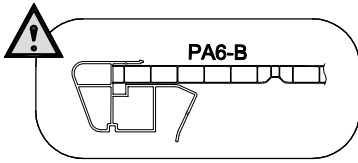
VA-B22 [x2]
1705mm





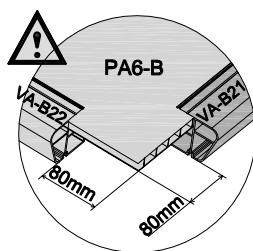
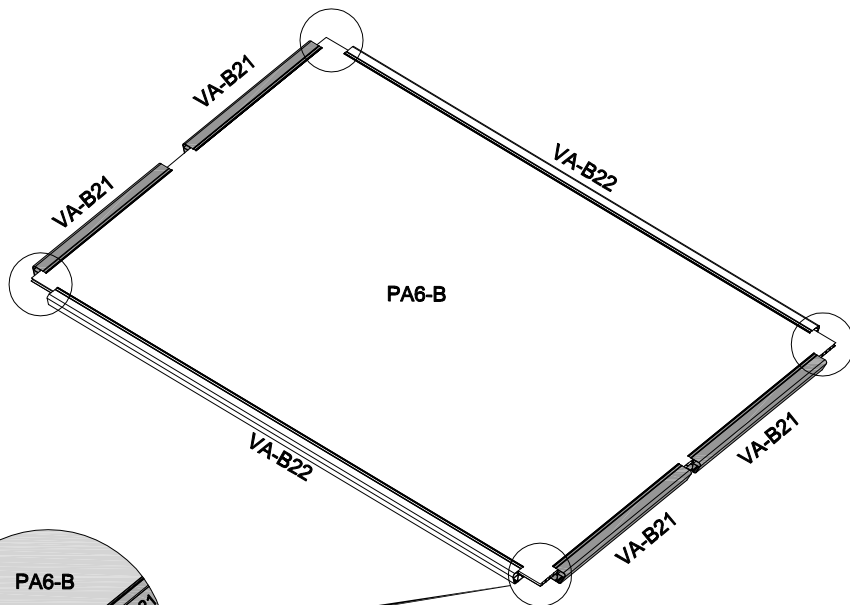
VA-B21 [x4]
564mm



21	 PA6-B [x1] 1865x1433mm	 VA-B22 [x2] 1705mm	 CN-A33	
----	----------------------------------------------------------------------------------------------------------------	------------------------------------------------------------------------------------------------------------	---------------------------------------------------------------------------------------------	--



22	 VA-B21 [x4] 564mm	 CN-A33	
----	-------------------------------------------------------------------------------------------------------------	-----------------------------------------------------------------------------------------------	--



23



PPX3[x4]



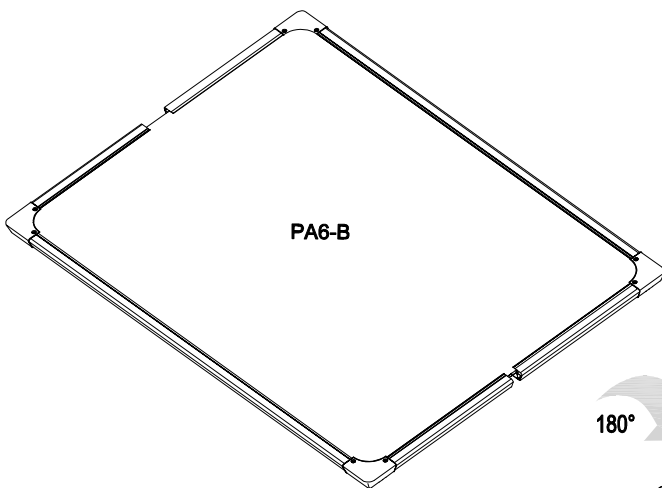
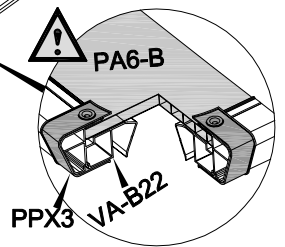
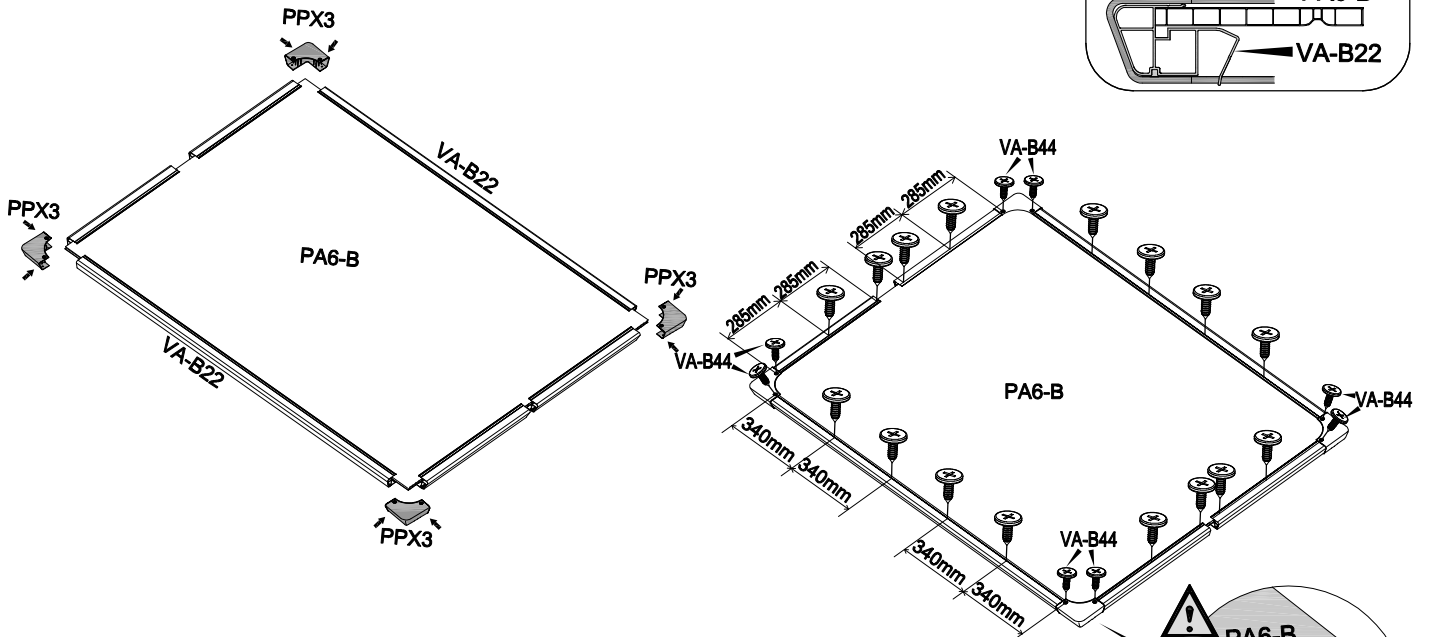
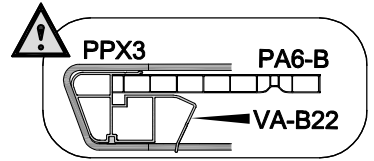
VA-B45 [x24]
19mm



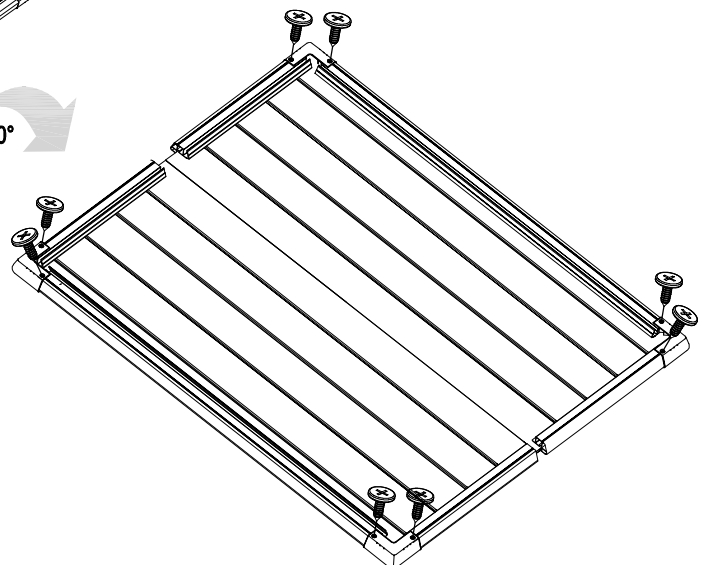
VA-B44 [x8]
13mm



CN-A33



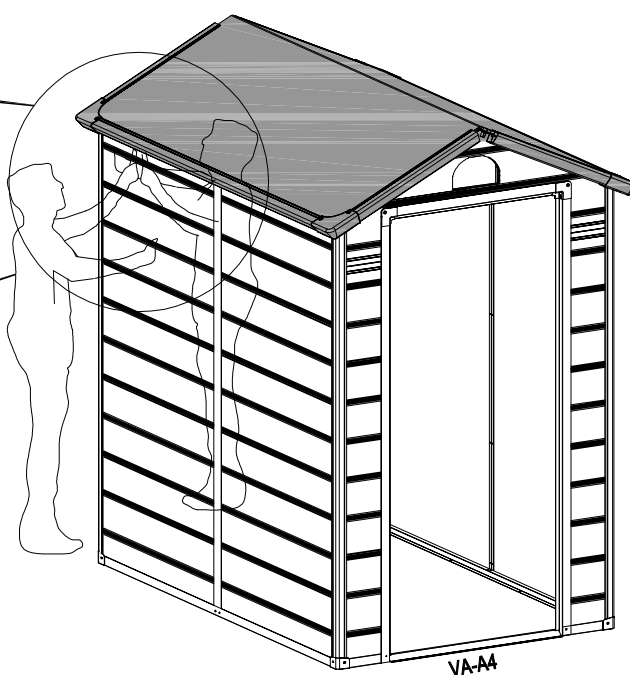
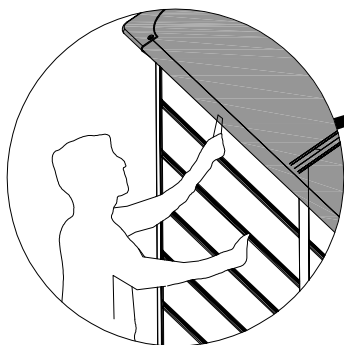
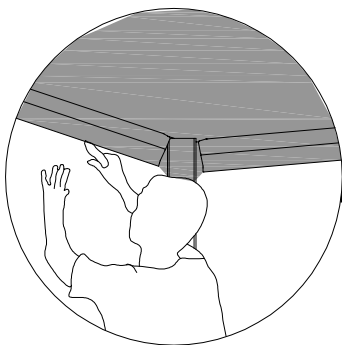
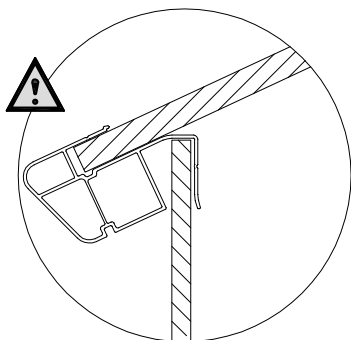
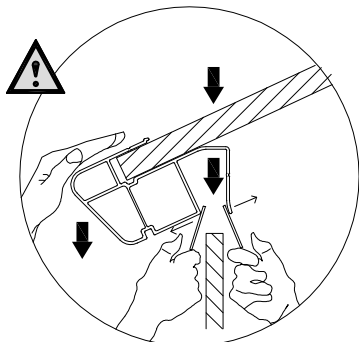
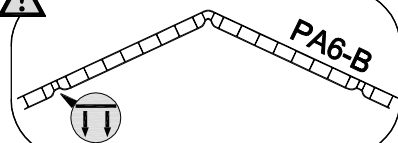
180°



24



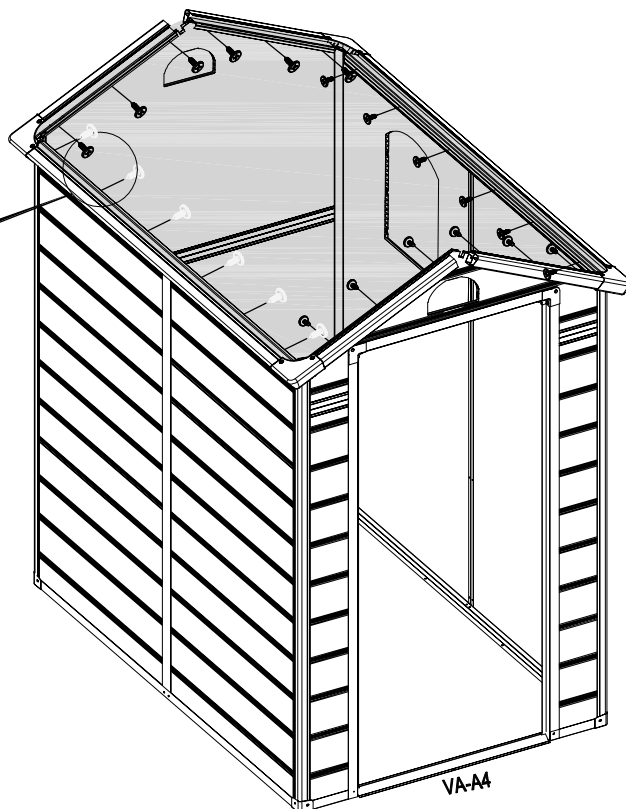
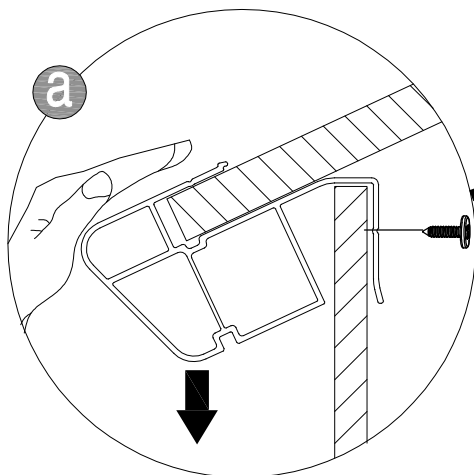
CN-A33



25



VA-B45 [x24]
19mm



26



VA-B24 [x1]
1900mm



PPX4 [x2]



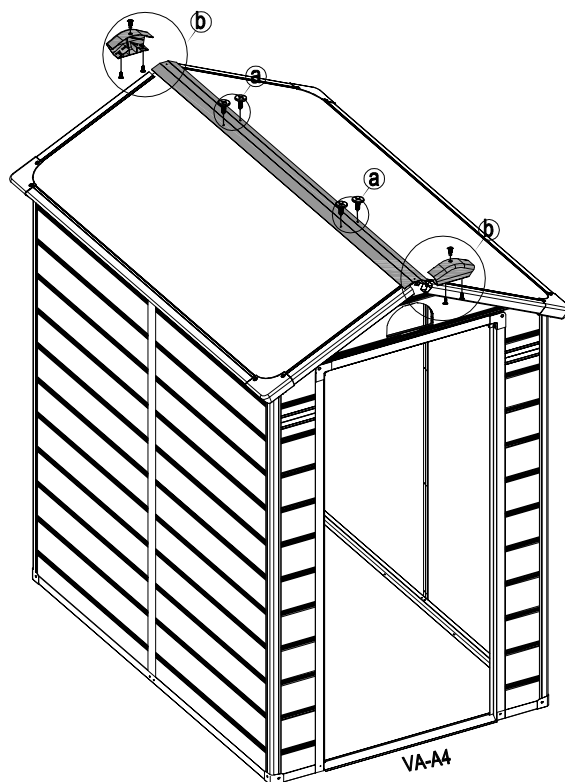
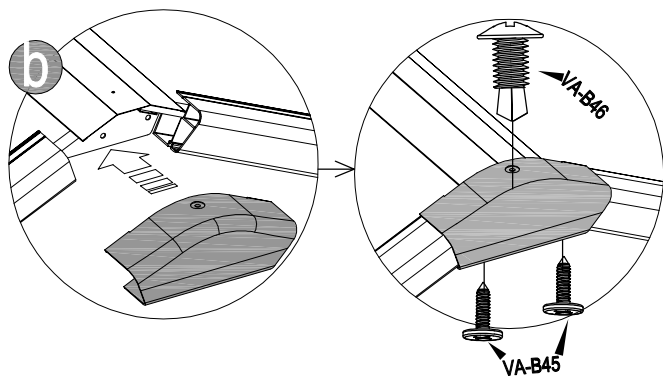
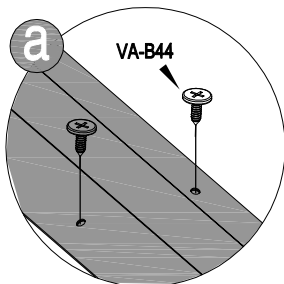
VA-B44 [x4]
13mm



VA-B45 [x4]
19mm



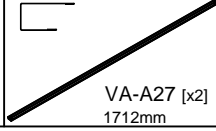
VA-B46 [x2]
13mm



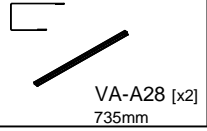
27



PA7S [x1]
1710x735mm



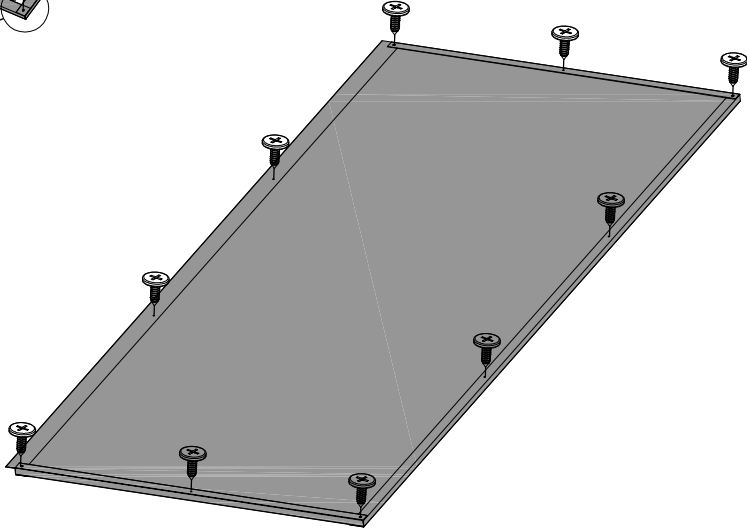
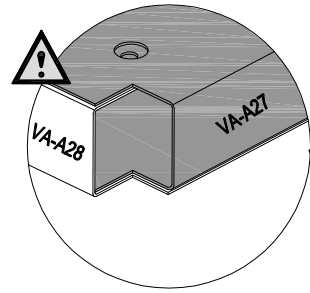
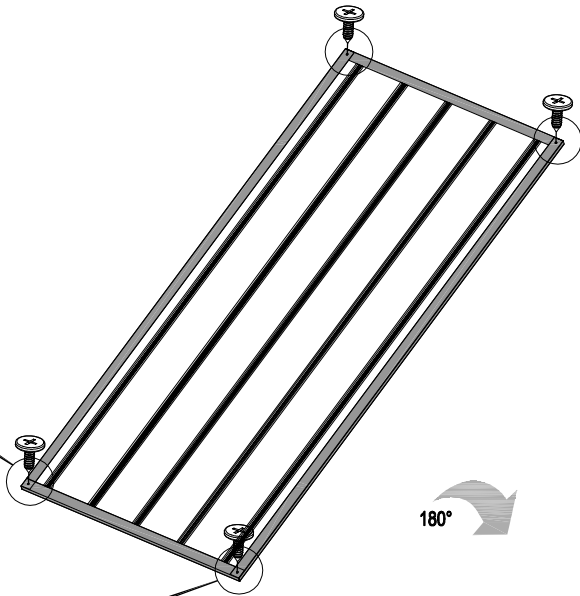
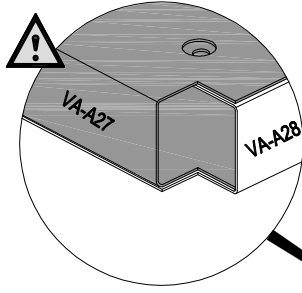
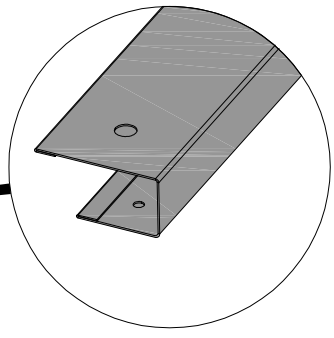
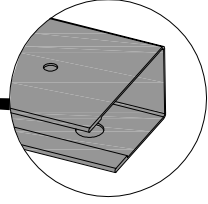
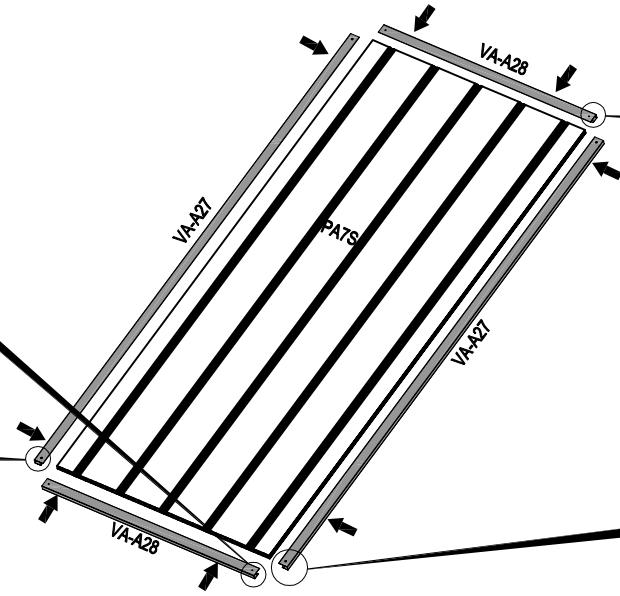
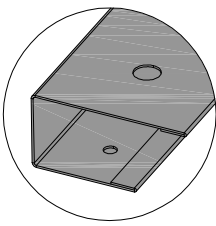
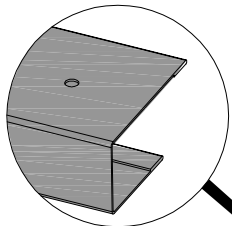
VA-A27 [x2]
1712mm



VA-A28 [x2]
735mm



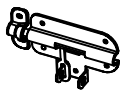
VA-B44 [x14]
13mm



28



VA-41 [x2]



VA-40 [x1]



PA01 [x3]



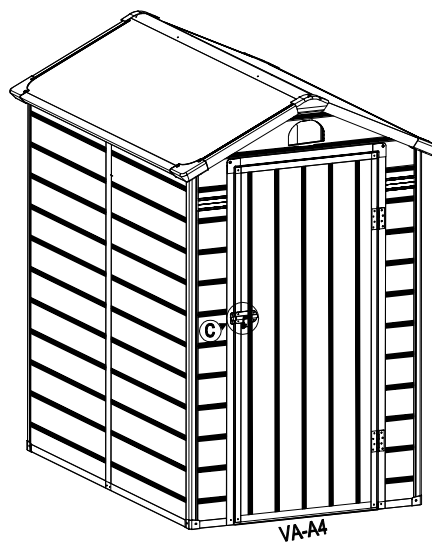
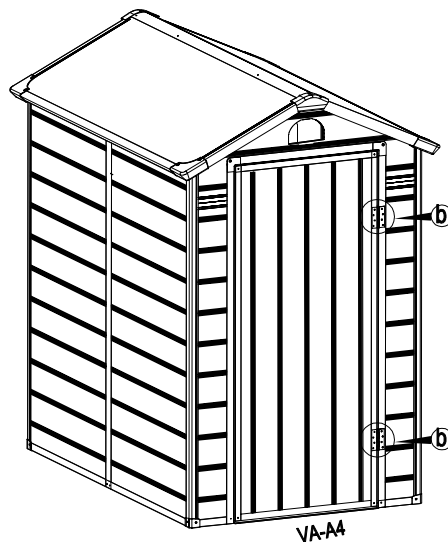
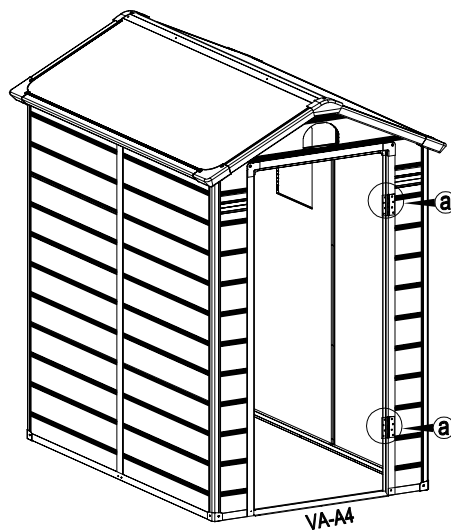
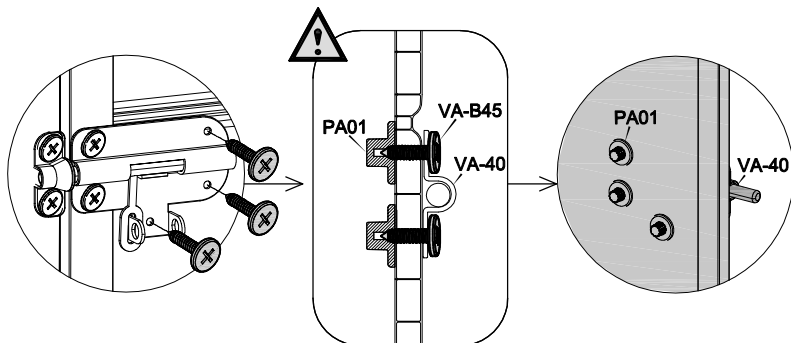
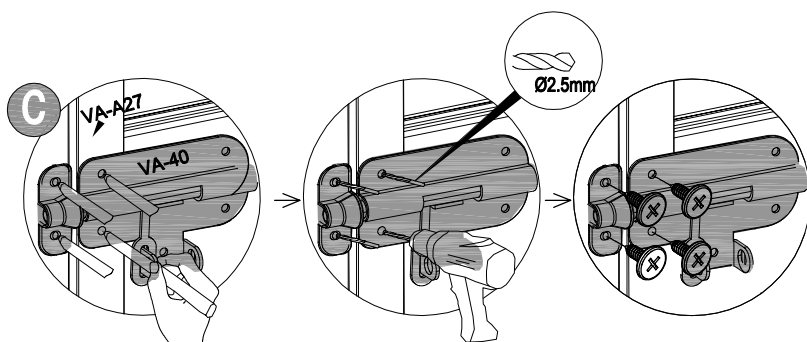
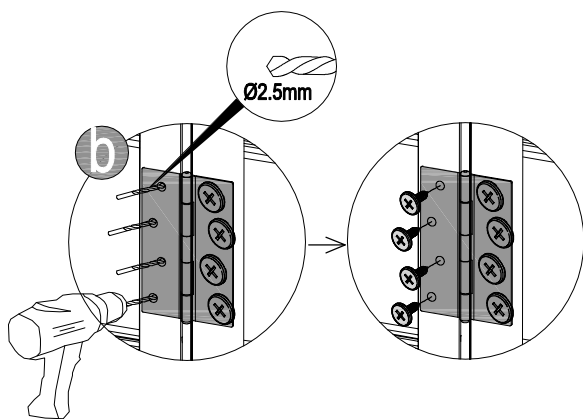
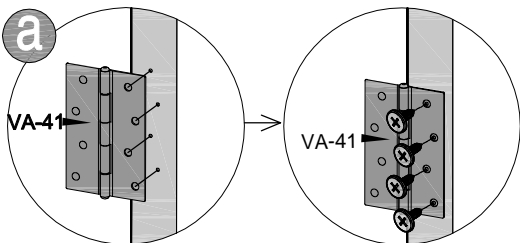
VA-B44 [x20]
13mm



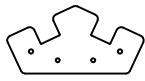
VA-B45 [x3]
19mm



Ø2.5mm



29



VA-36 [x2]



VA-32L [x2]



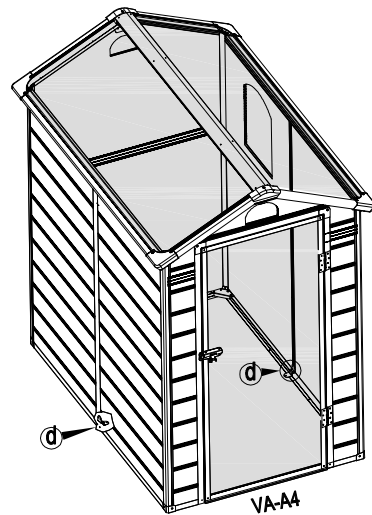
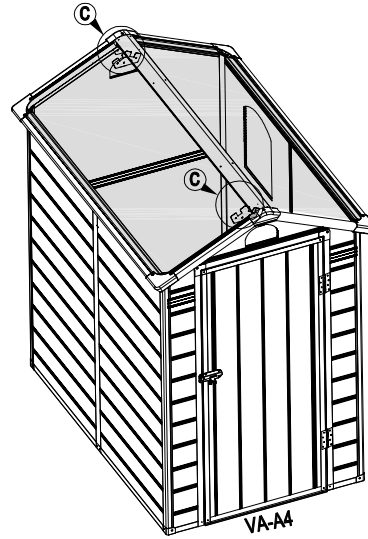
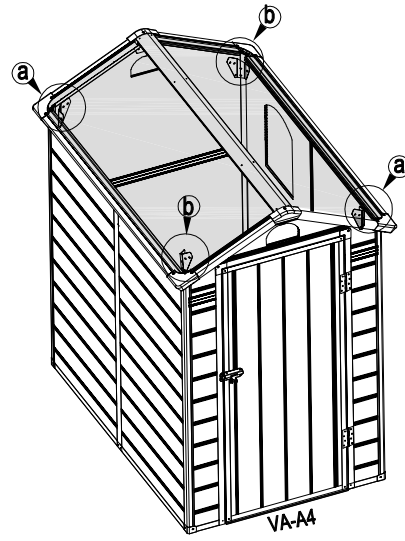
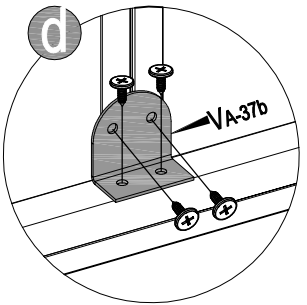
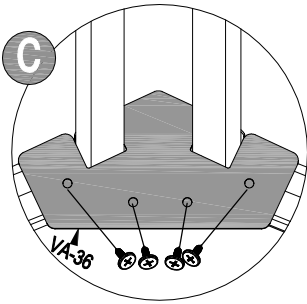
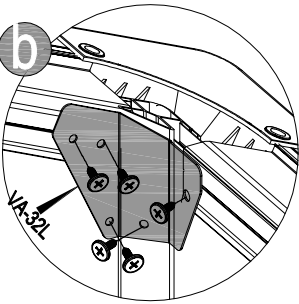
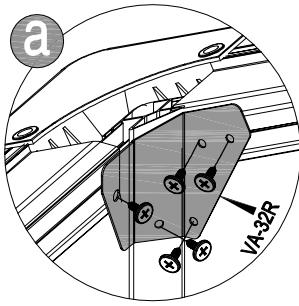
VA-32R [x2]

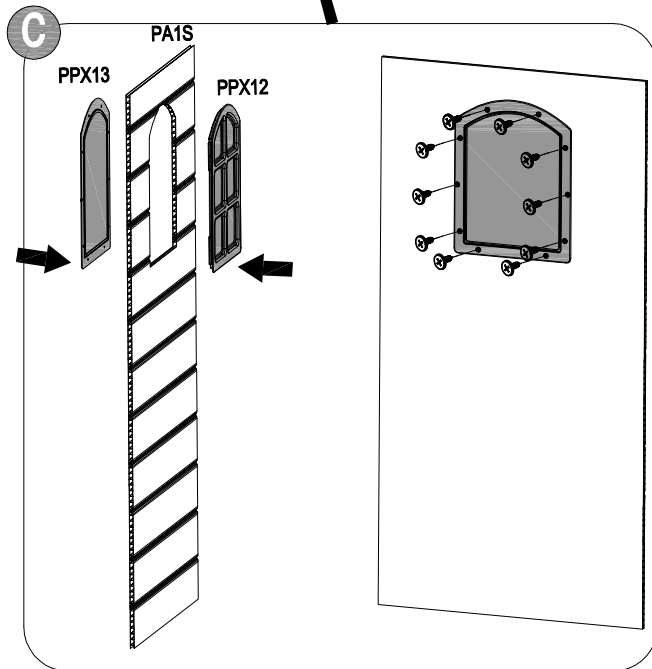
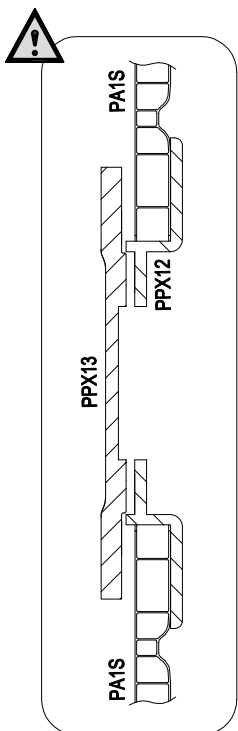
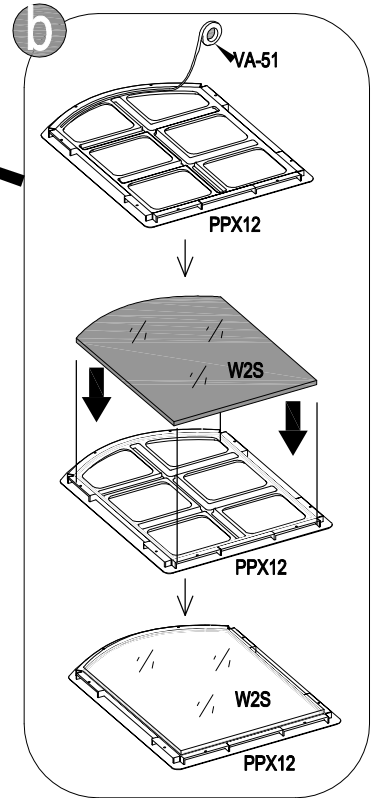
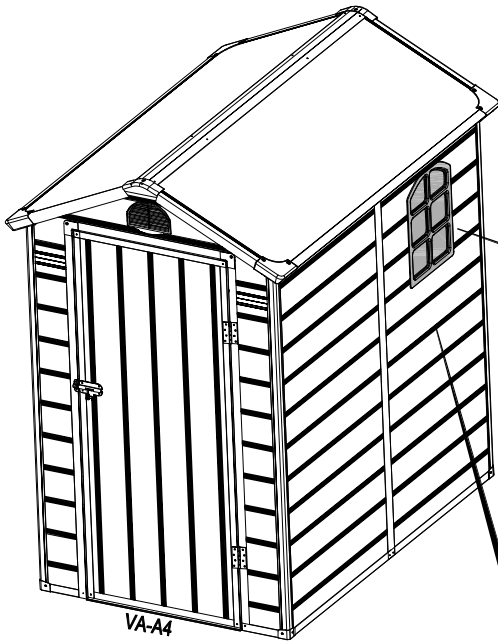
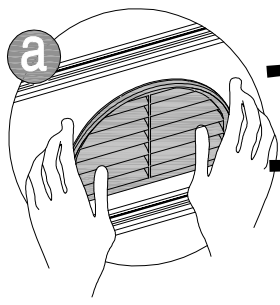
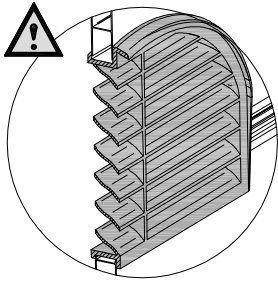
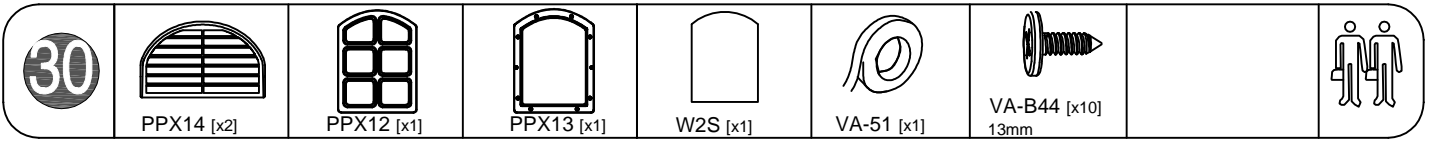


VA-37b [x2]



VA-B44 [x36]
13mm





31

