

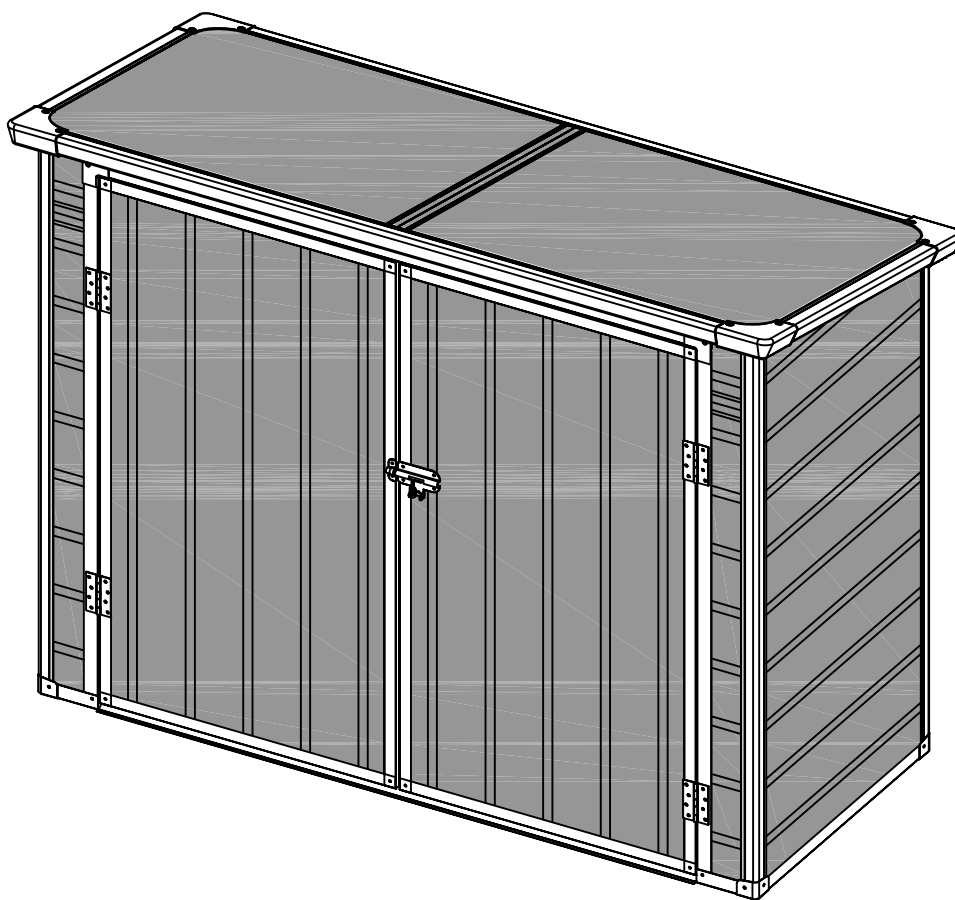
COLIN-A

natuur
FUNNY IS SMART

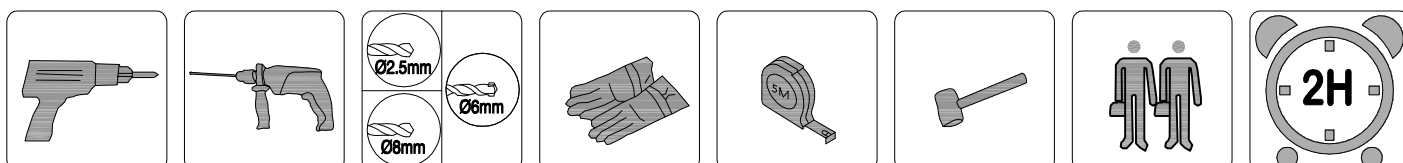
Manual de montaje

COBERTIZO RESINA AVE C/SUELO 199X90X149C

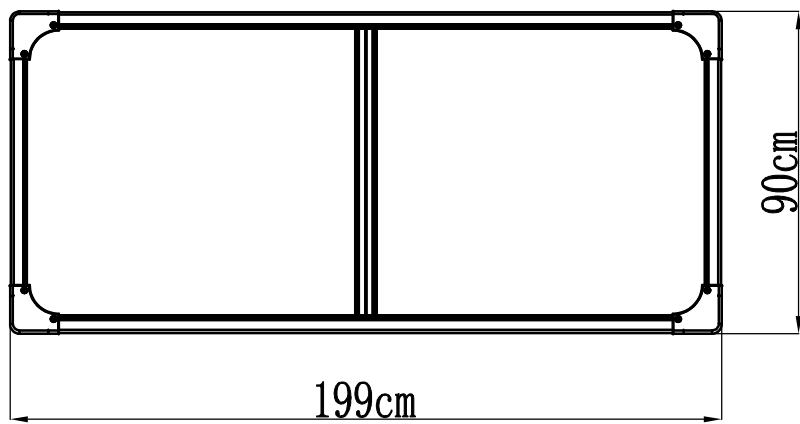
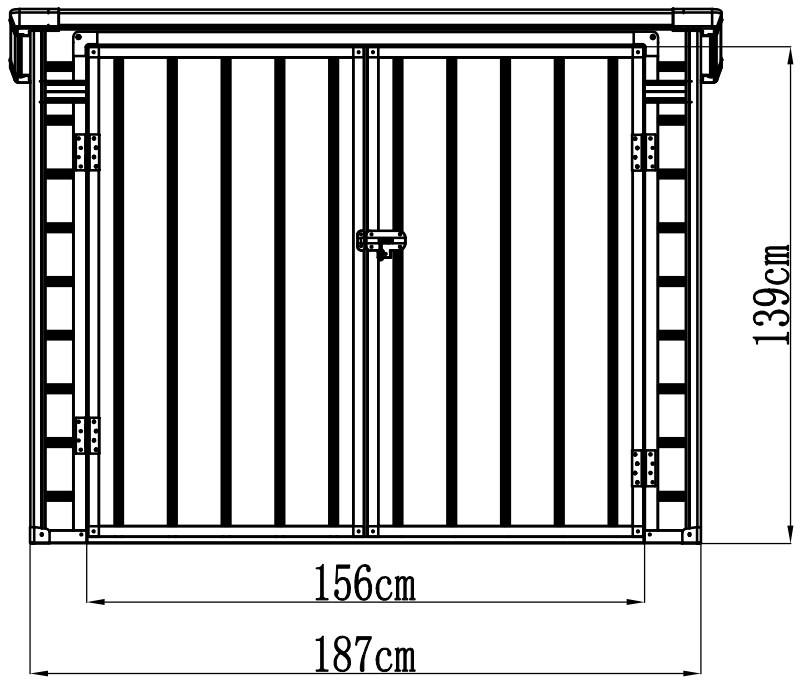
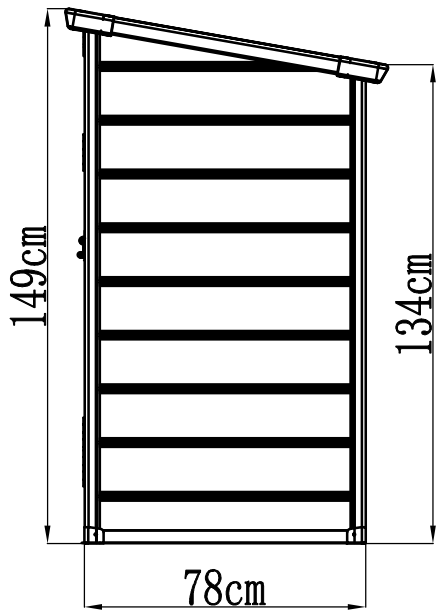
REF: 23024973



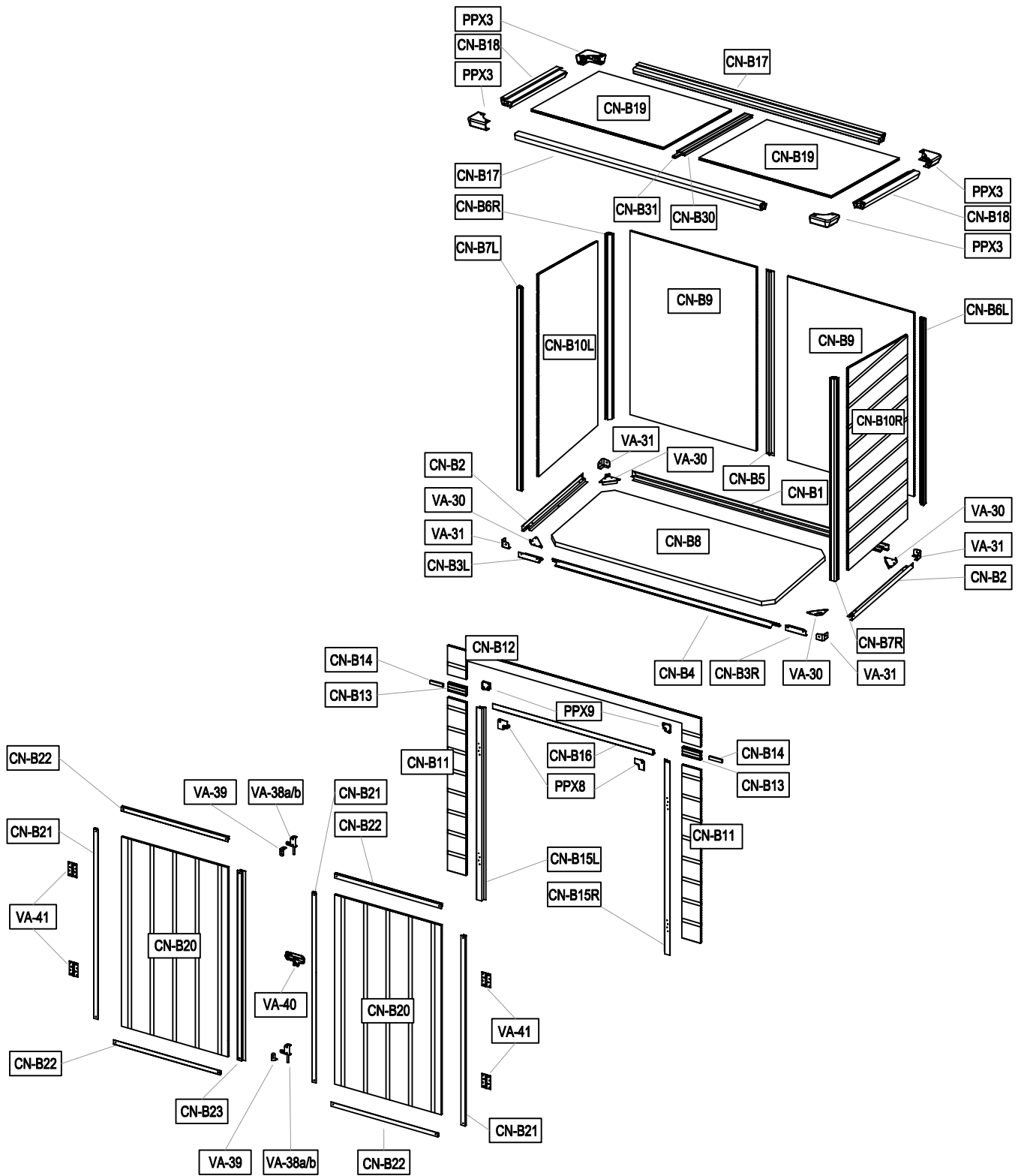
Importado por
NEOPRO SERV. INT. DE FTRIA.,S.L.
B10898260
Rosalind Franklin 30
28906 Getafe (Madrid)
Fabricado en China



Size of Colin-A:

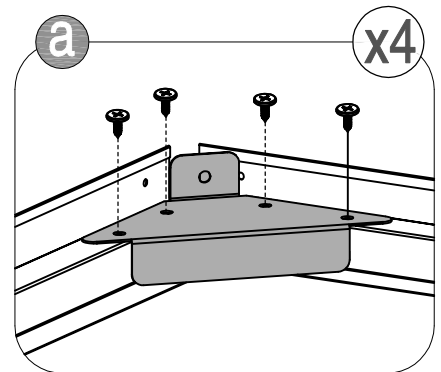
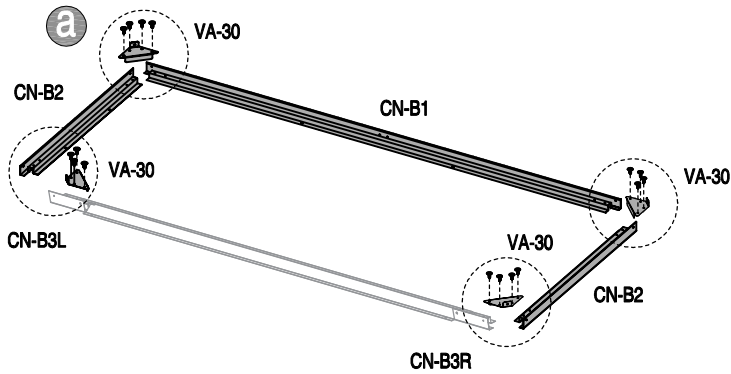
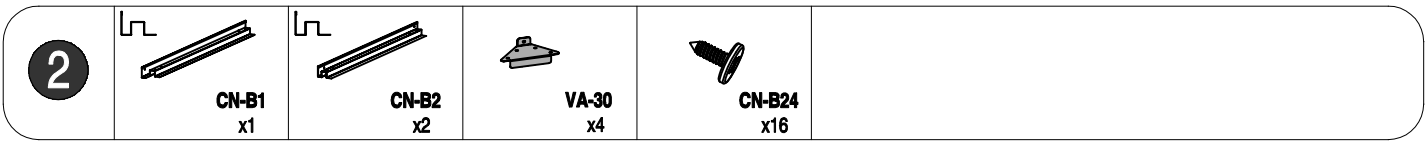
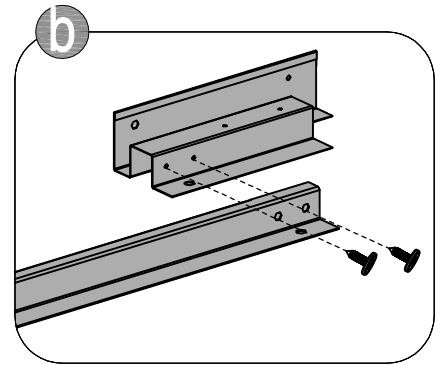
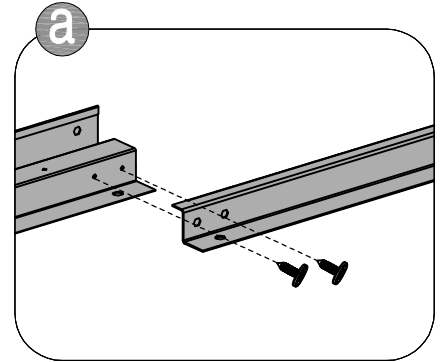
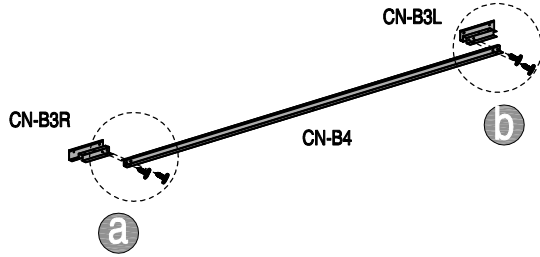
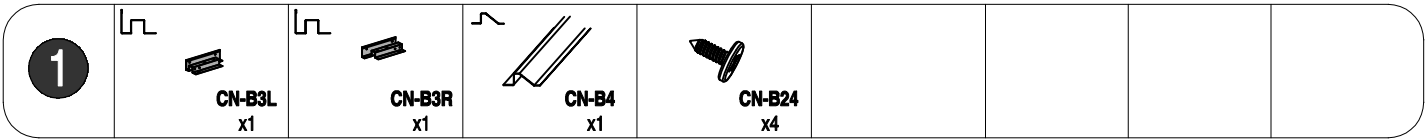


Colin-A

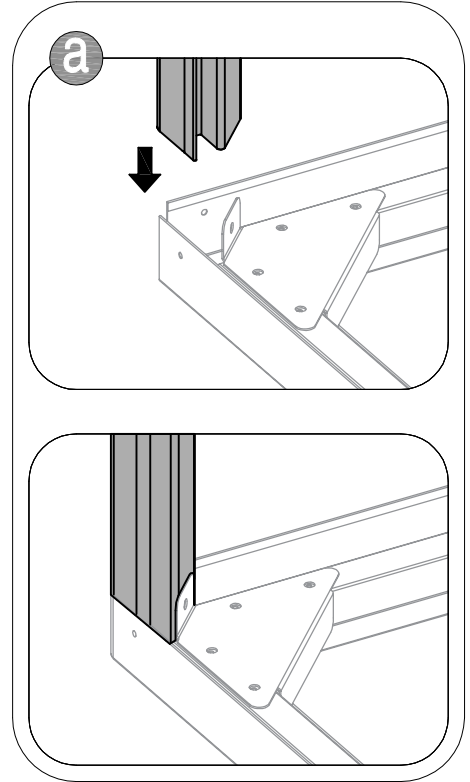
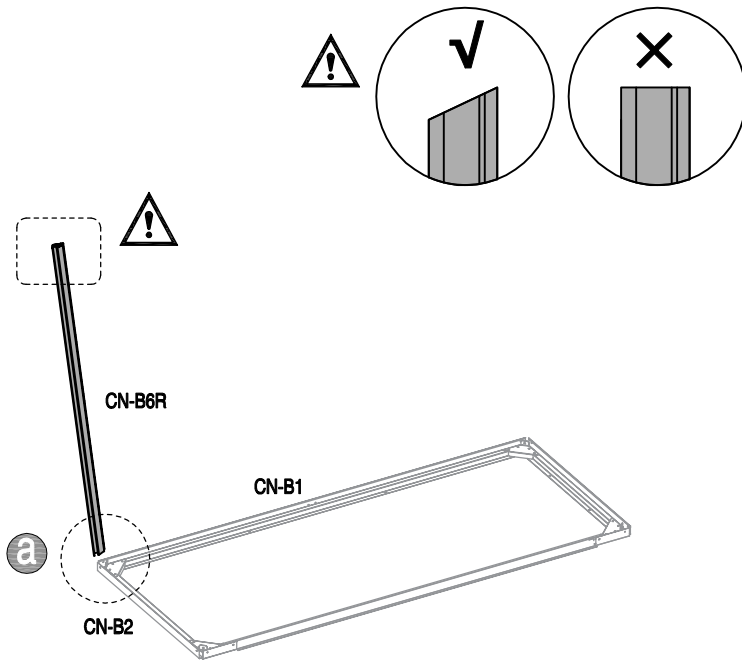



| NO. | IMAGE | mm | QTY |
|-----|---------|----------|-----|
| | | | |
| | CN-B1 | 1850.5 | x1 |
| | CN-B2 | 763 | x2 |
| | CN-B3L | 146.5 | x1 |
| | CN-B3R | 146.5 | x1 |
| | CN-B4 | 1637 | x1 |
| | VA-30 | | x4 |
| | VA-31 | | x4 |
| | | | |
| | CN-B5 | 1330 | x1 |
| | CN-B6L | 1337 | x1 |
| | CN-B6R | 1337 | x1 |
| | CN-B7L | 1460 | x1 |
| | CN-B7R | 1460 | x1 |
| | CN-B8 | 709x1797 | x1 |
| | CN-B9 | 913x1326 | x2 |
| | CN-B10L | 740x1460 | x1 |
| | CN-B10R | 740x1460 | x1 |
| | CN-B11 | 135x1248 | x2 |
| | CN-B12 | 1828x190 | x1 |
| | CN-B13 | 130 | x2 |
| | CN-B14 | 130 | x2 |
| | CN-B15L | 1389 | x1 |
| | CN-B15R | 1389 | x1 |
| | CN-B16 | 1552 | x1 |
| | PPX8 | | x2 |
| | PPX9 | | x2 |
| | | | |
| | CN-B17 | 1773.5 | x2 |
| | CN-B18 | 700 | x2 |
| | CN-B19 | 860x955 | x2 |
| | CN-B30 | 860 | x1 |
| | CN-B31 | 860 | x1 |
| | PPX3 | | x4 |

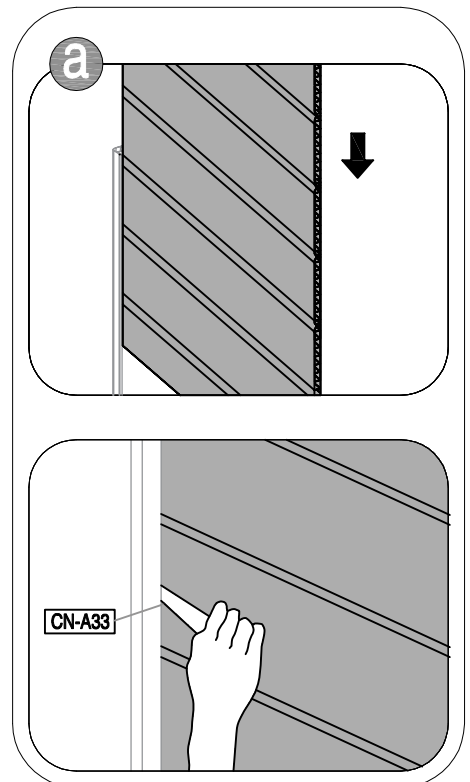
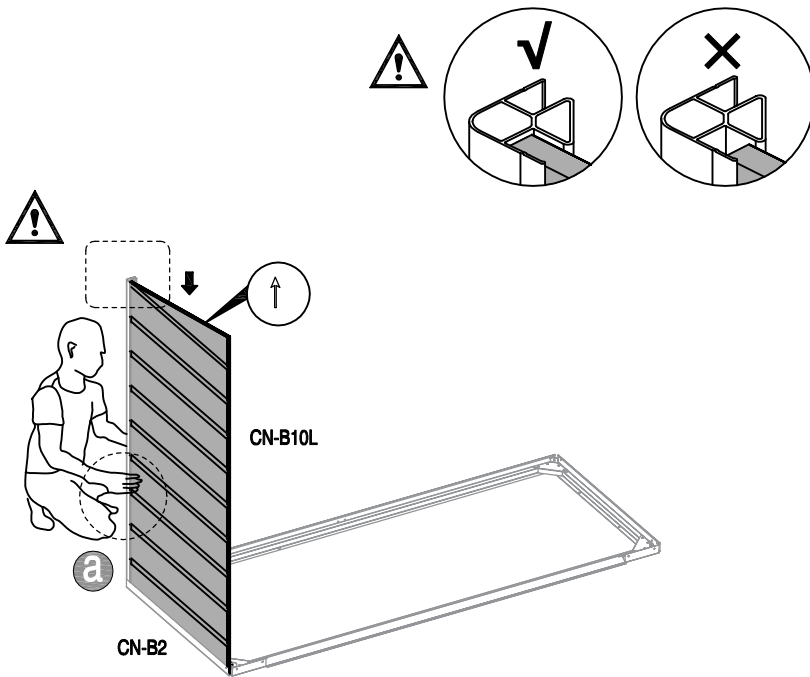
| NO. | IMAGE | mm | QTY |
|-----|--------|----------|------|
| | | | |
| | CN-B20 | 1368x770 | x2 |
| | CN-B21 | 1368 | x3 |
| | CN-B22 | 771 | x4 |
| | CN-B23 | 1368 | x1 |
| | | | |
| | VA-41 | | x4 |
| | VA-38a | | x2 |
| | VA-38b | | x2 |
| | VA-39 | | x2 |
| | VA-40 | | x1 |
| | VA-53 | | x1 |
| | PA01 | | x3 |
| | CN-B24 | ST4.2x13 | x119 |
| | CN-B25 | ST4.2x19 | x75 |
| | CN-B26 | ST4.2x13 | x6 |
| | CN-B27 | ST4.2x19 | x4 |
| | CN-B28 | ST6.0x40 | x10 |
| | CN-B29 | ST4.2x10 | x8 |
| | CN-A33 | | x2 |



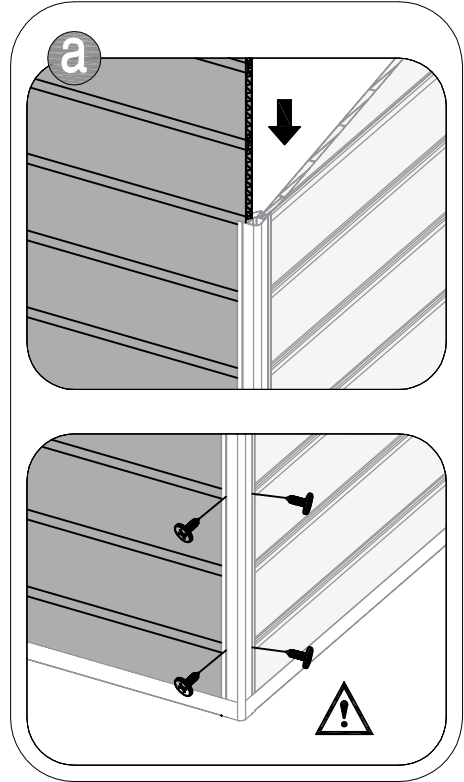
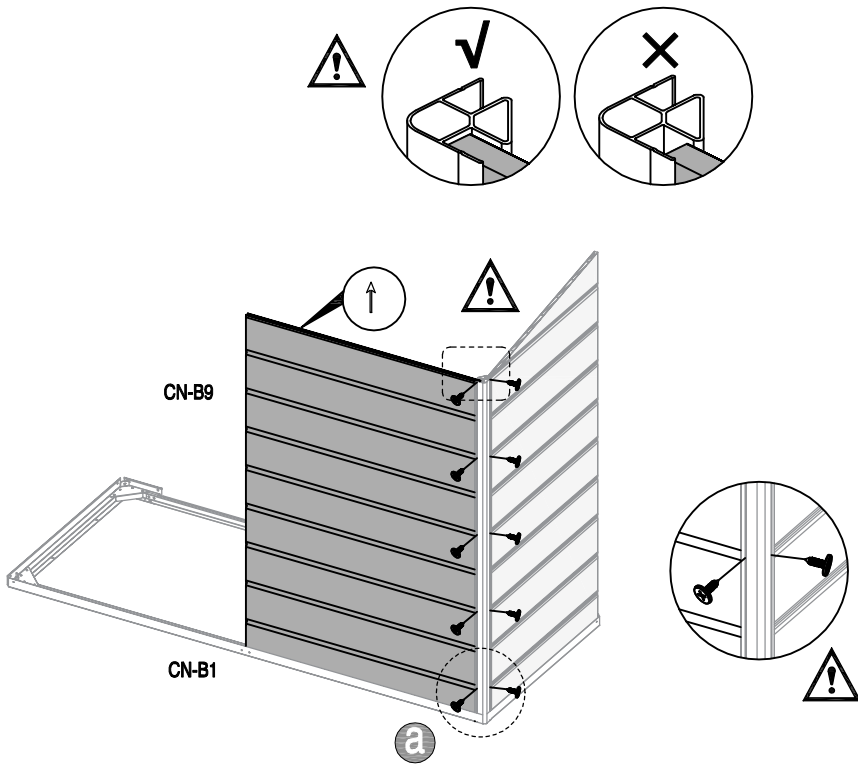
| | | |
|----------|---|--|
| 3 |   CN-B6R x1 | |
|----------|---|--|




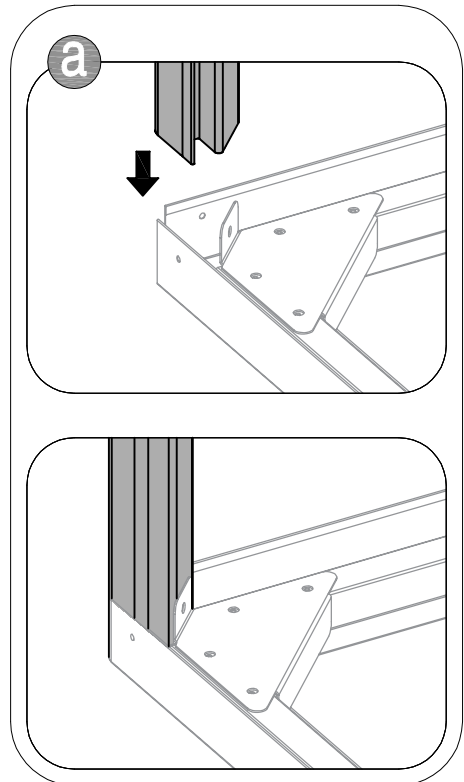
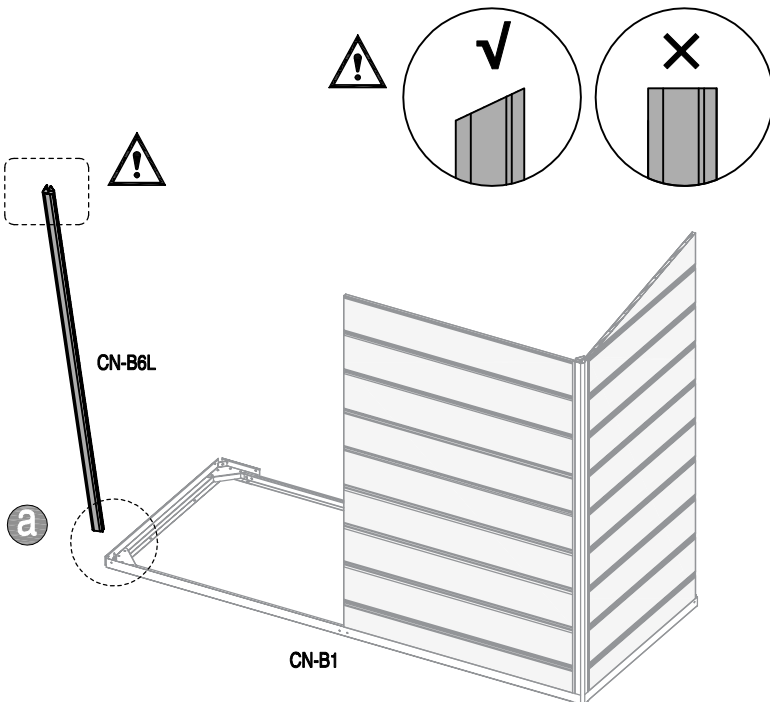
| | | | |
|----------|---|--|--|
| 4 |  CN-B10L x1 |  CN-A33 | |
|----------|---|--|--|



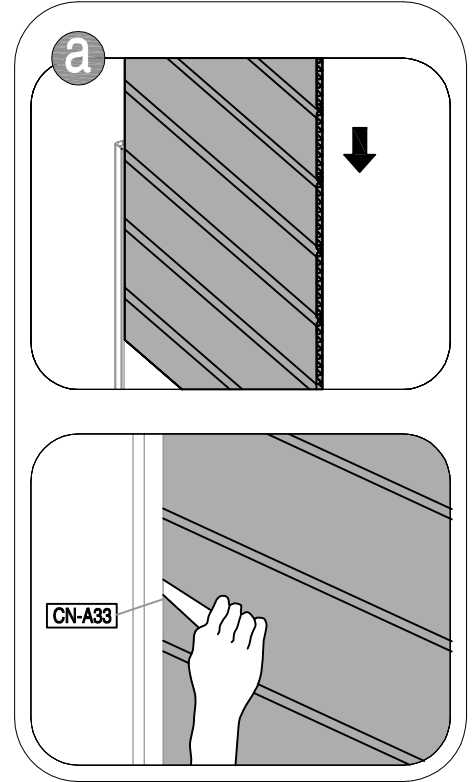
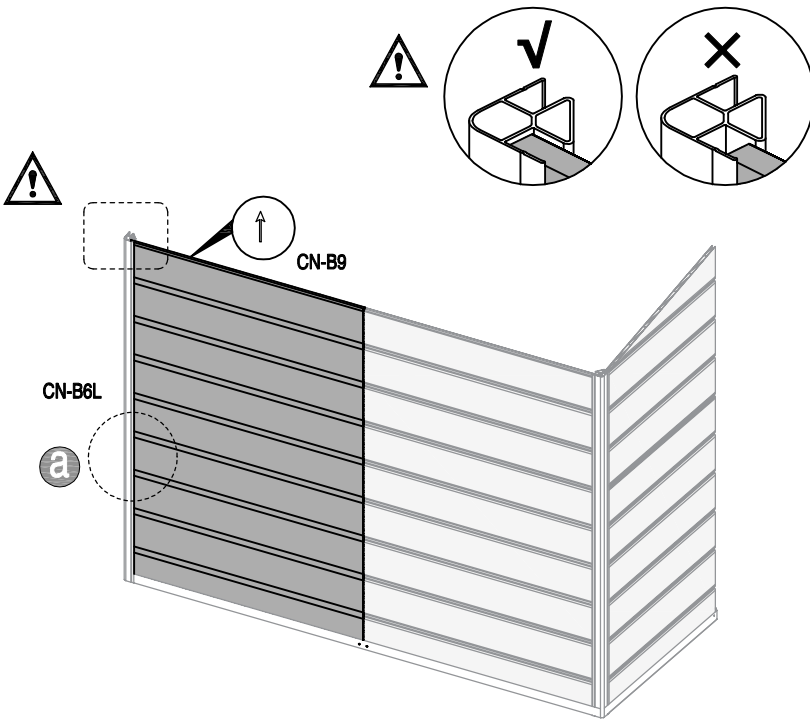
| | | | |
|----------|---|---|--|
| 5 |  CN-B9 x1 |  CN-B25 x10 |  CN-A33 |
|----------|---|---|--|





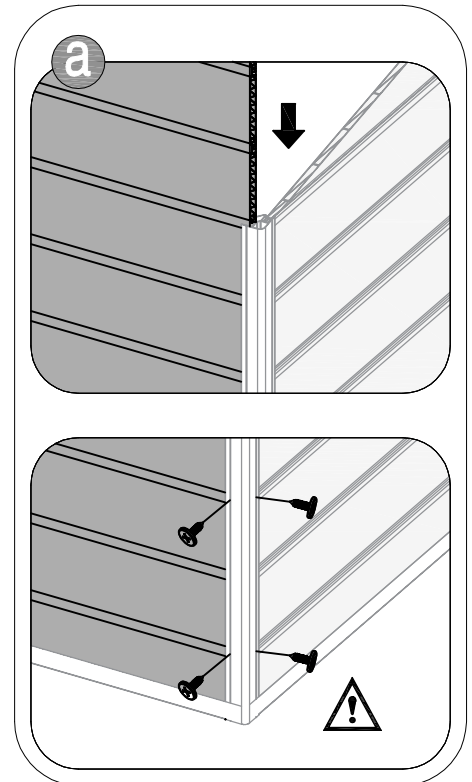
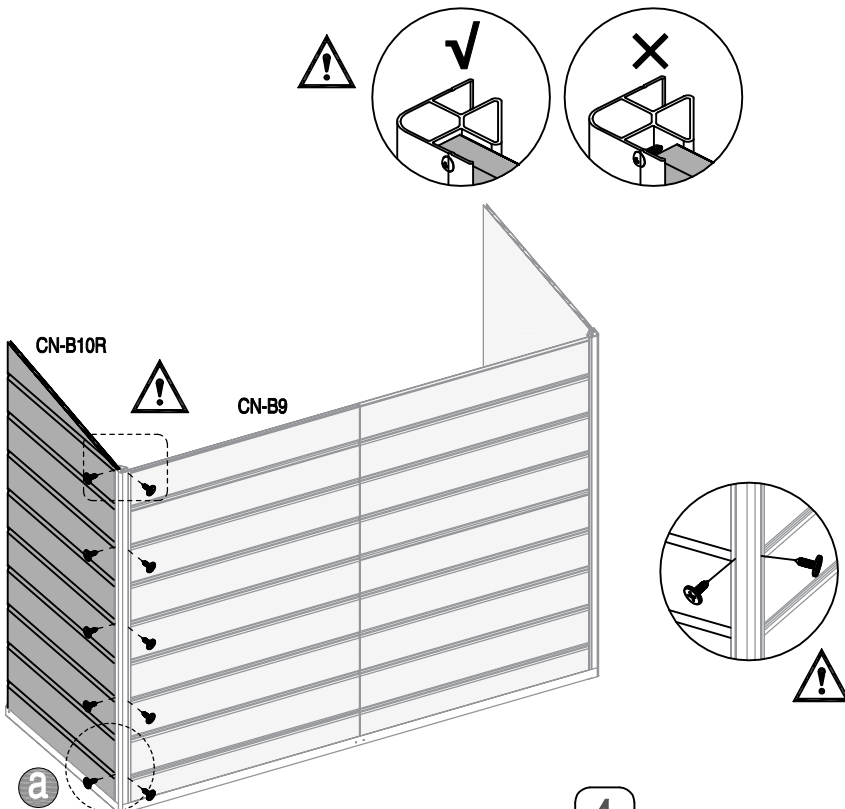
| | |
|----------|--|
| 6 |  CN-B6L x1 |
|----------|--|



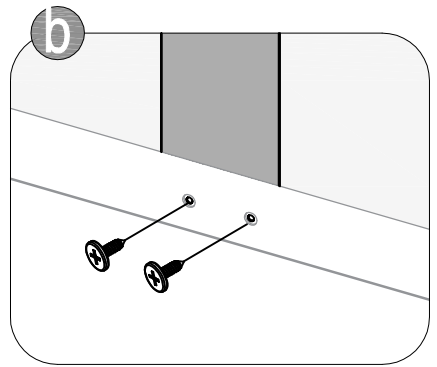
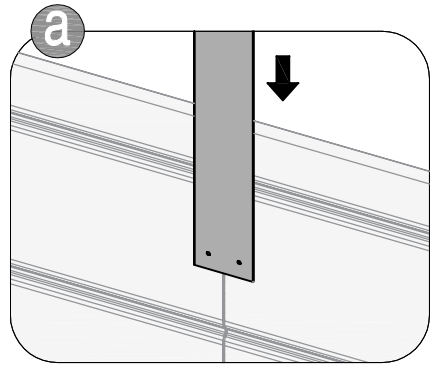
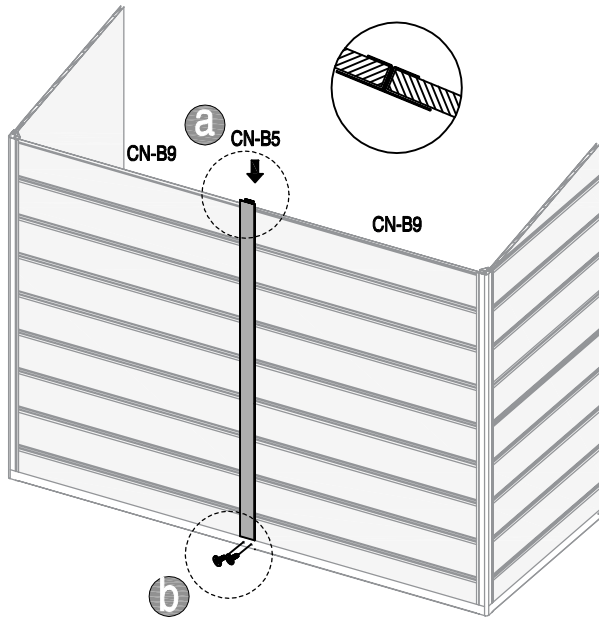
| | | |
|----------|---|--|
| 7 |  CN-B9 x1 |  CN-A33 |
|----------|---|--|





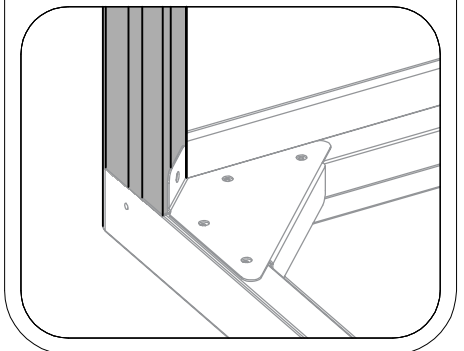
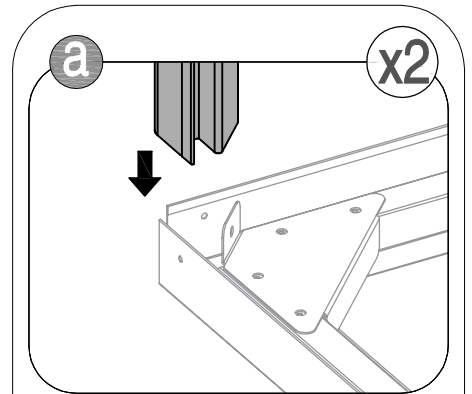
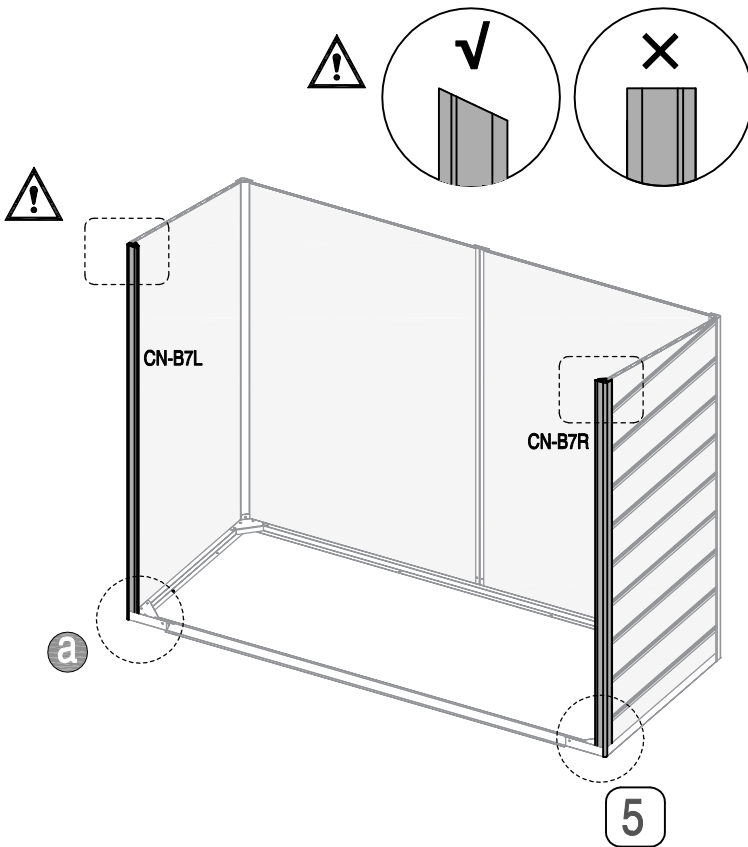
| | | |
|----------|---|---|
| 8 |  CN-B10R x1 |  CN-B25 x10 |
|----------|---|---|



| | | |
|----------|---|--|
| 9 |  CN-B5 x1 |  CN-B24 x2 |
|----------|---|--|



| | | |
|-----------|--|--|
| 10 |  CN-B7L x1 |  CN-B7R x1 |
|-----------|--|--|



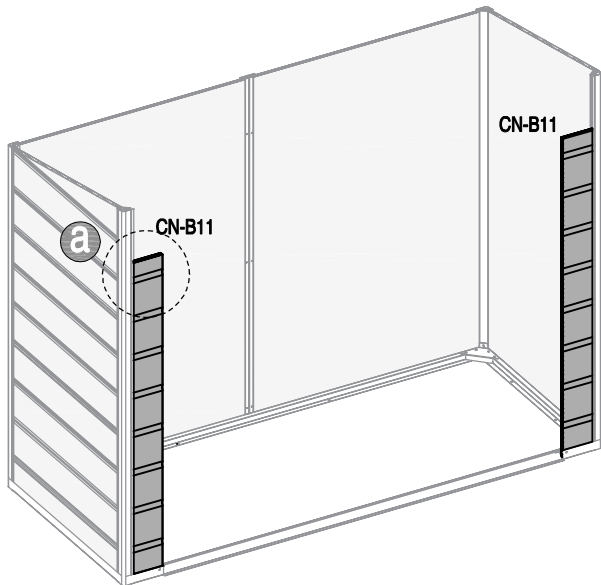
11



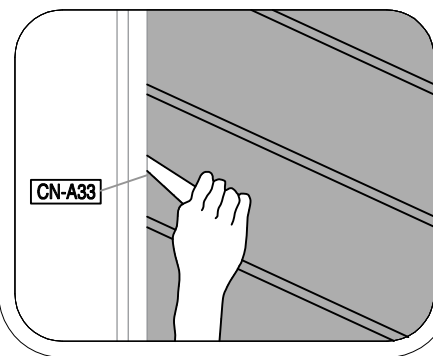
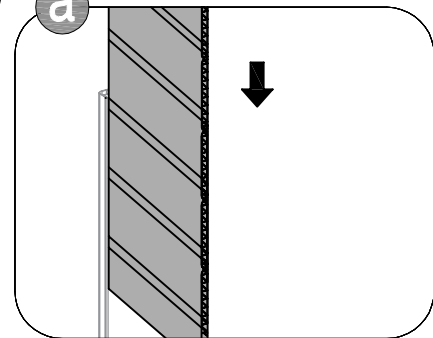
CN-B11
x2



CN-A33



a



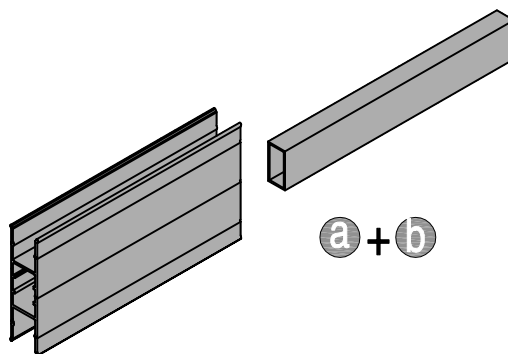
12



CN-B13
x2

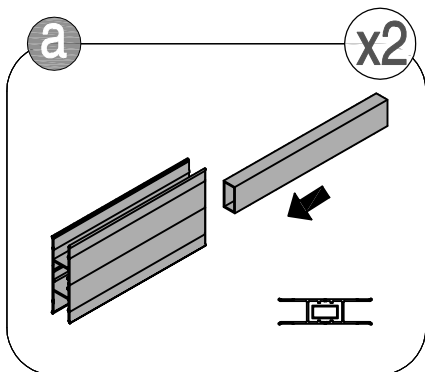


CN-B14
x2



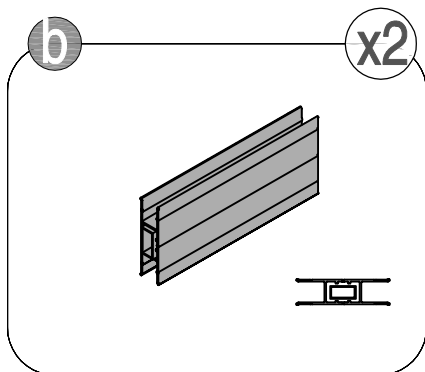
a

x2



b

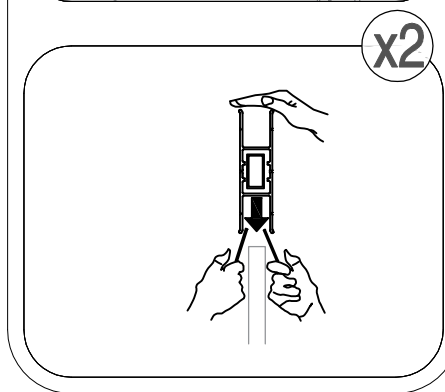
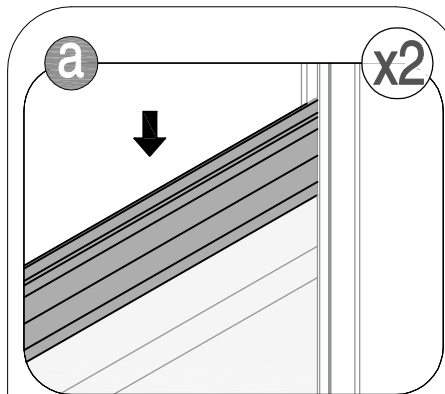
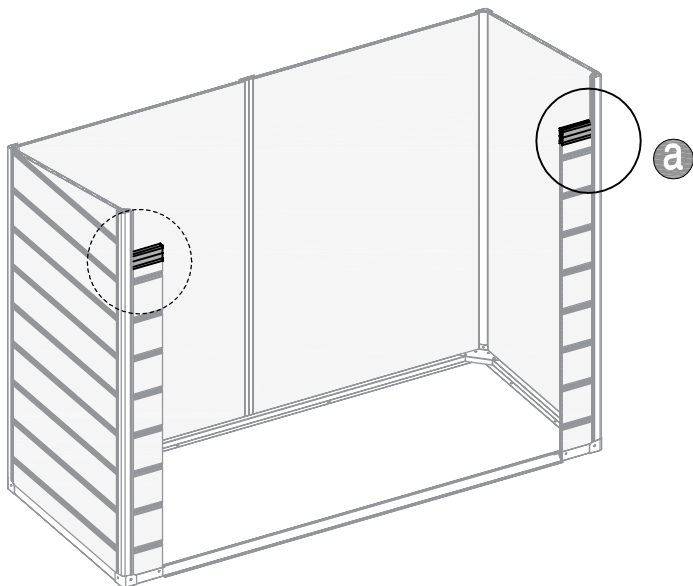
x2



13



CN-A33



14



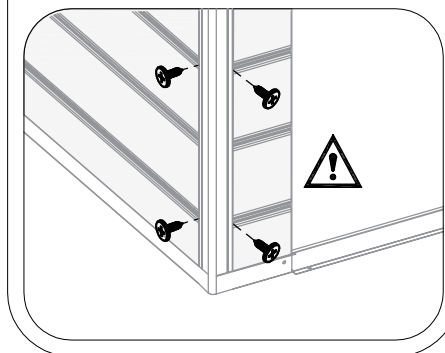
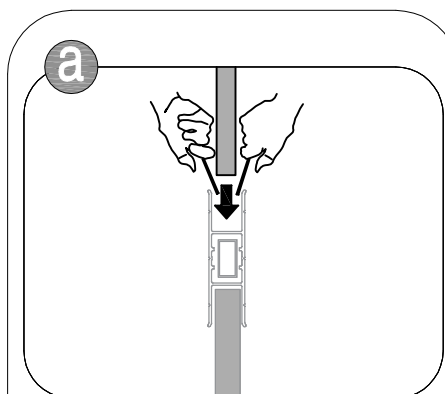
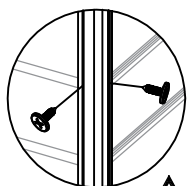
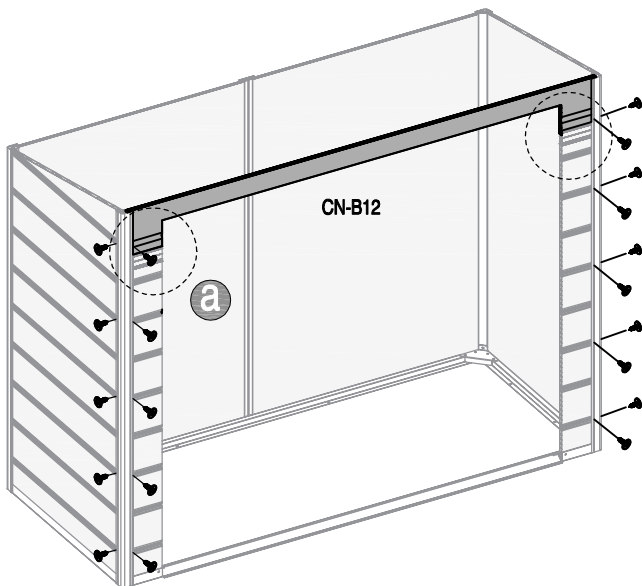
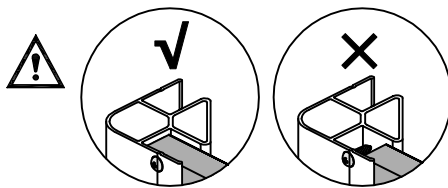
CN-B12
x1



CN-B25
x20



CN-A33



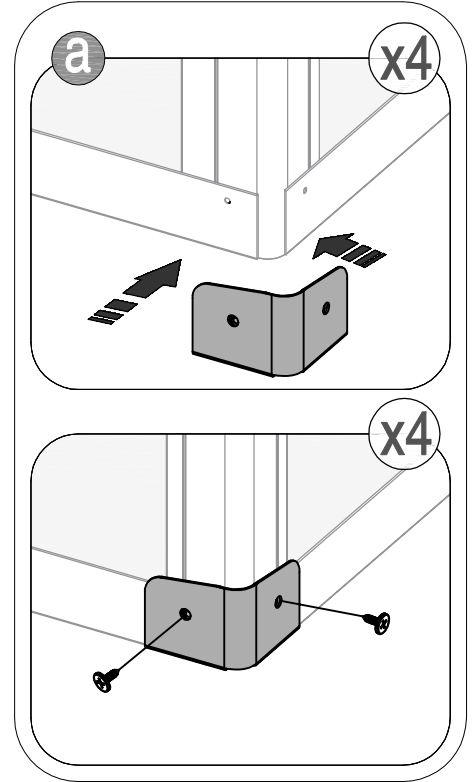
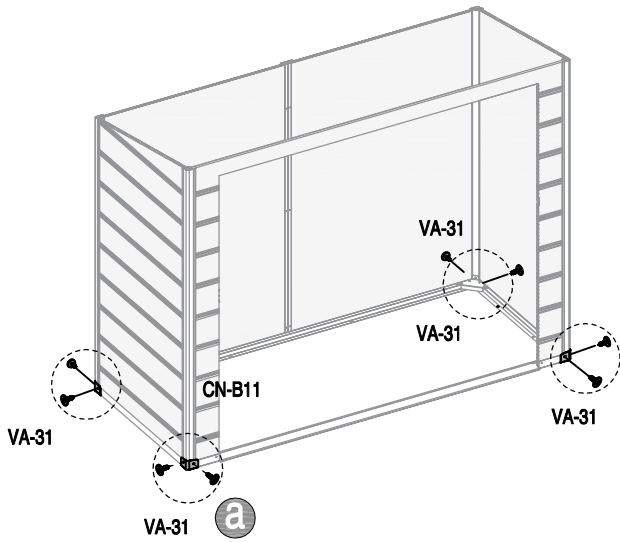
15



VA-31
x4



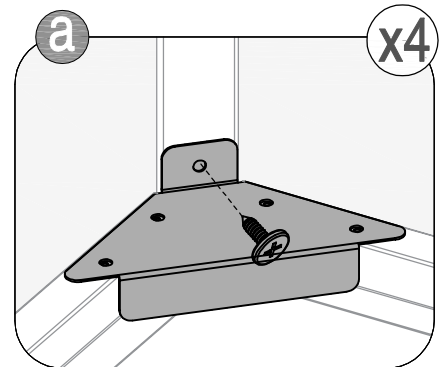
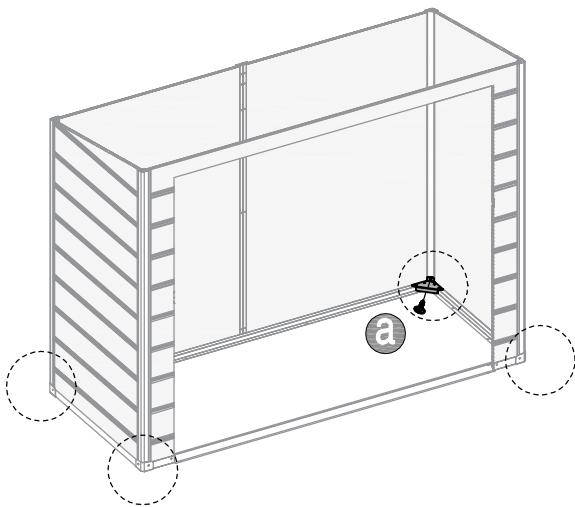
CN-B24
x8



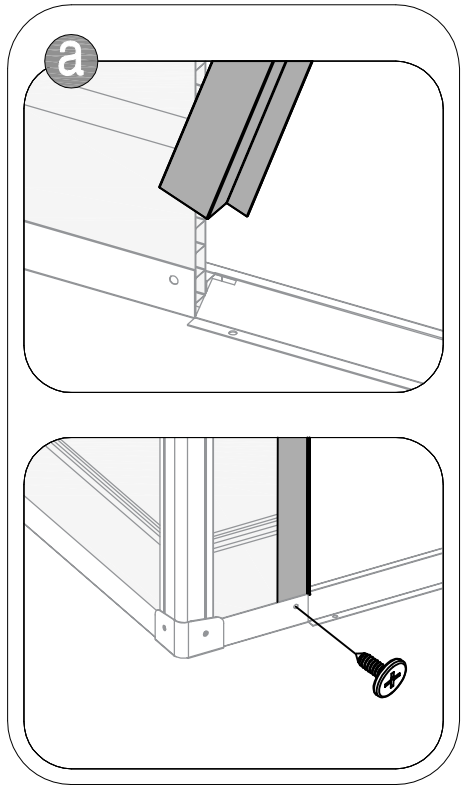
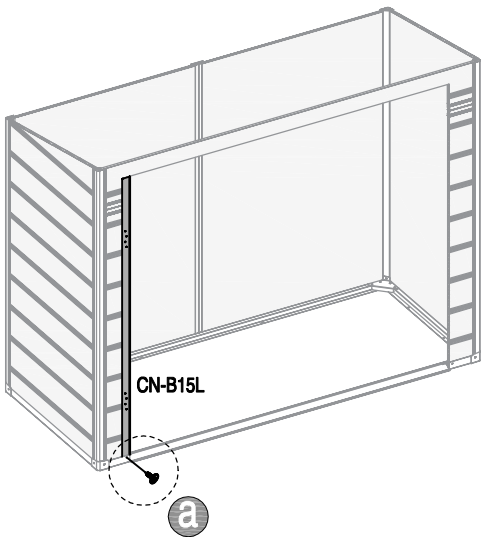
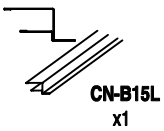
16



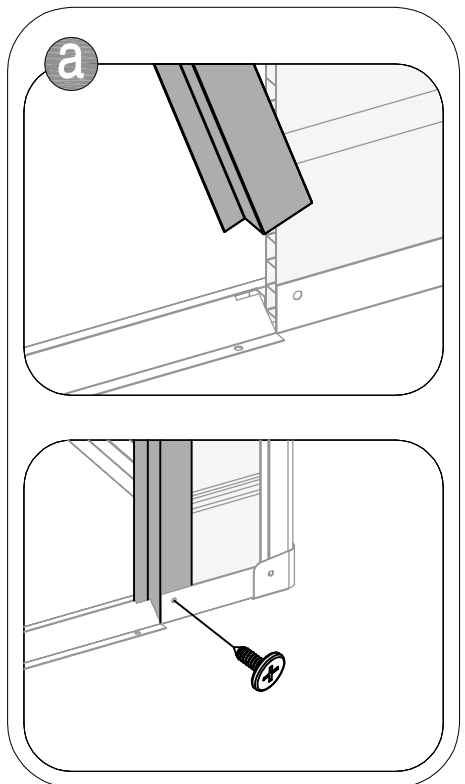
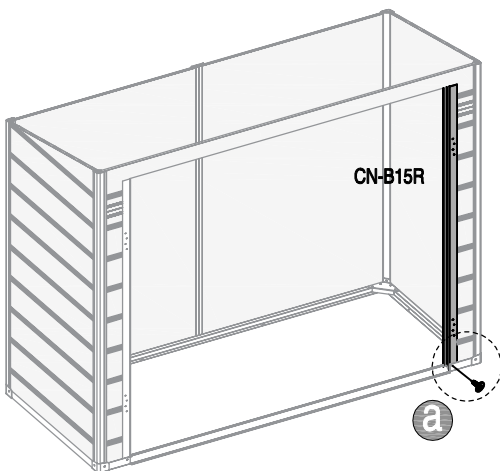
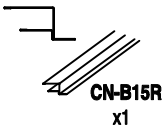
CN-B24
x4



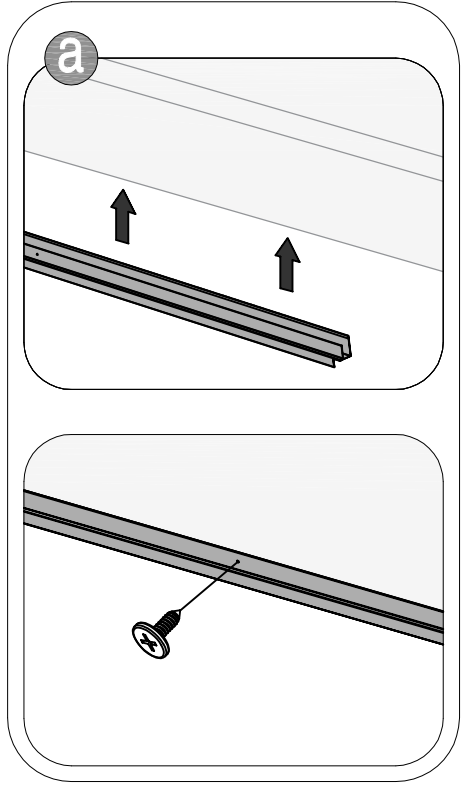
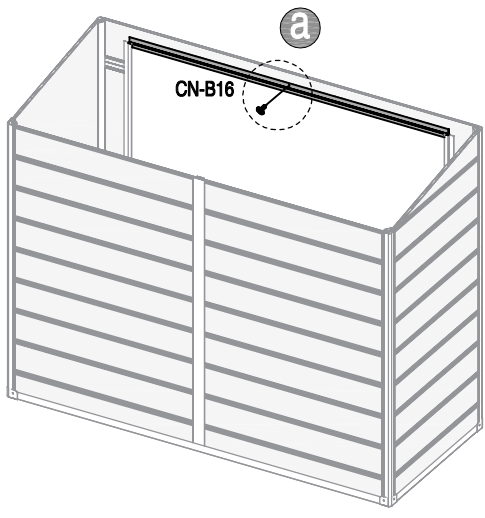
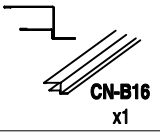
17



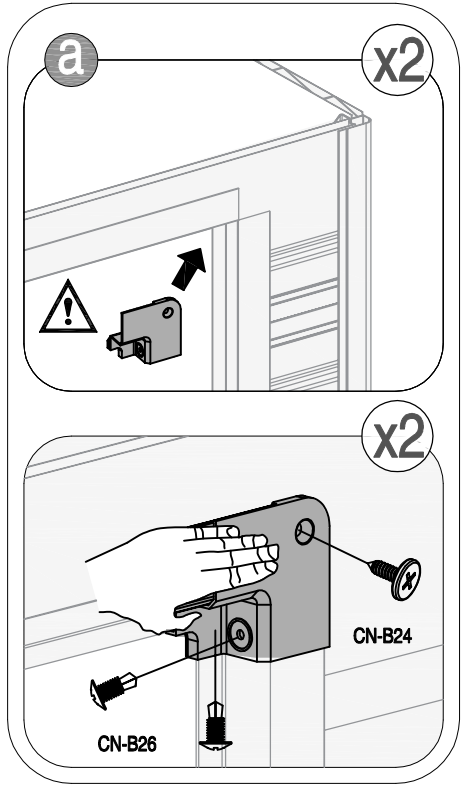
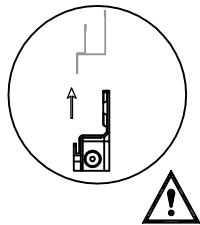
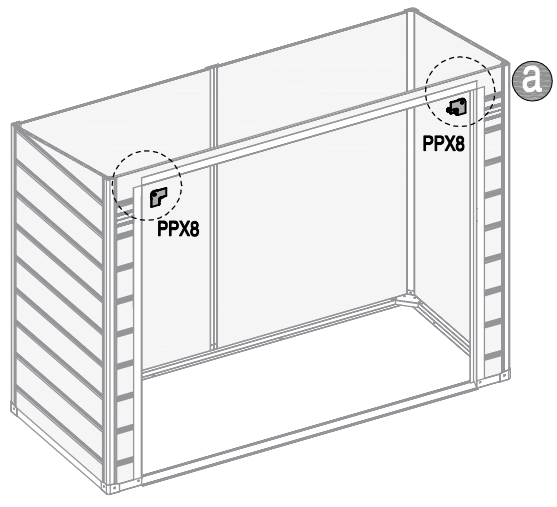
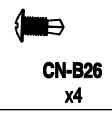
18



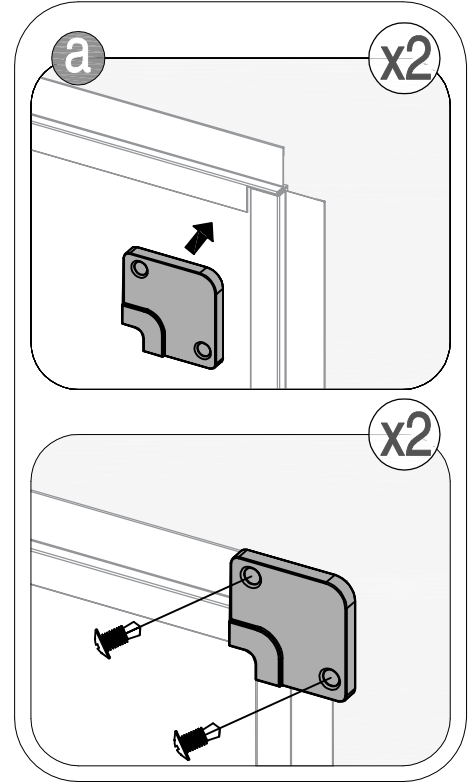
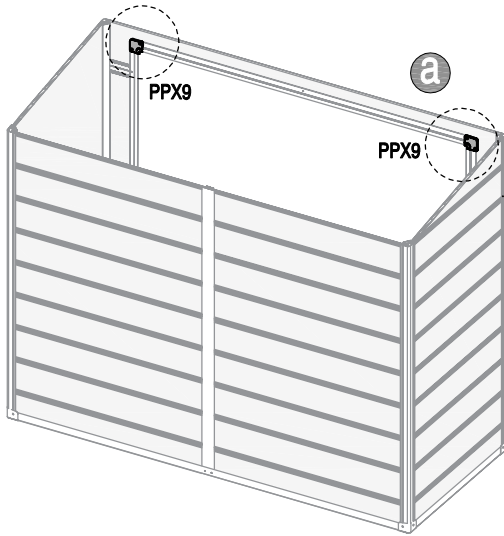
19



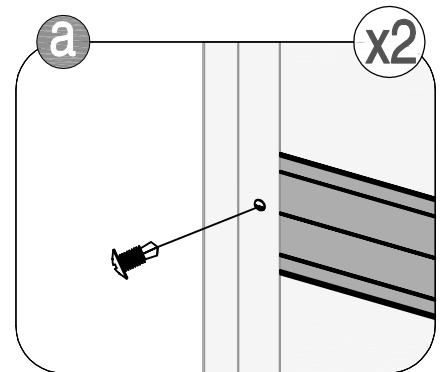
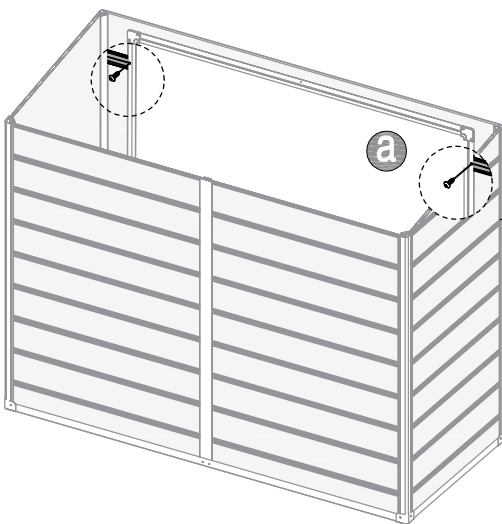
20


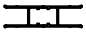






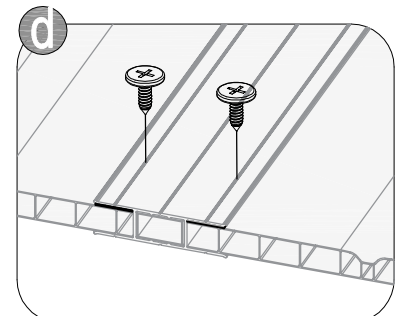
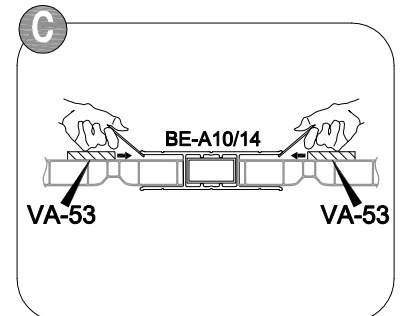
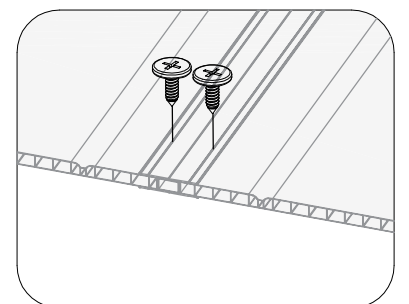
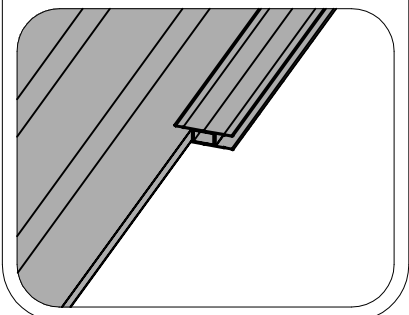
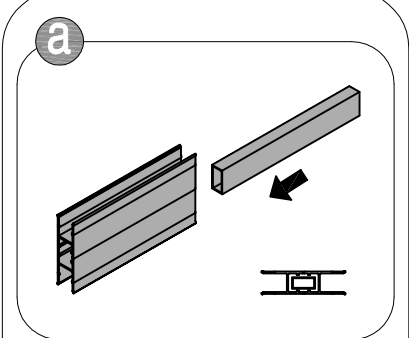
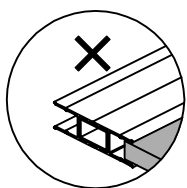
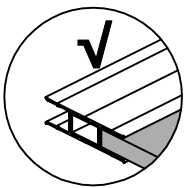
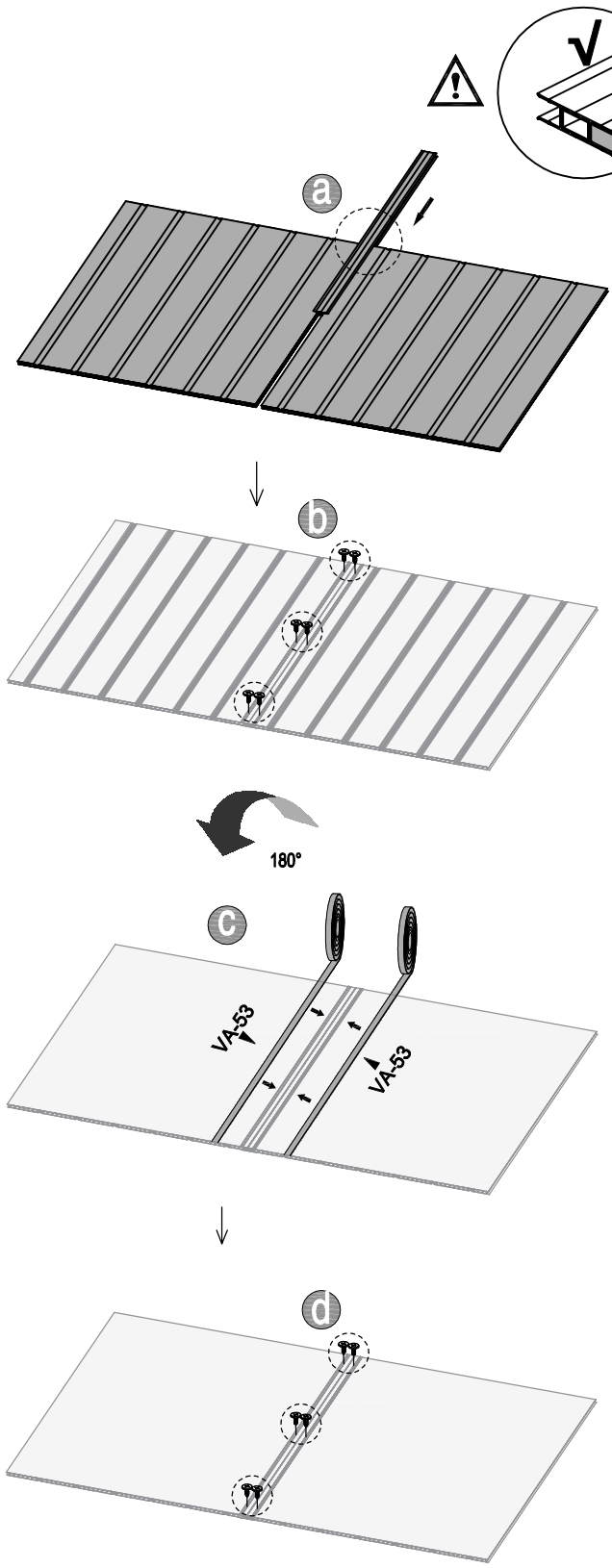
21



22



| | | | | | | | |
|----|--|--|--|---|--|--|--|
| 23 |  CN-B19 x2 |  CN-B30 x1 |  CN-B31 x1 |  VA-53 x1 |  CN-B24 x12 |  CN-A33 | |
|----|--|--|--|---|--|--|--|



24



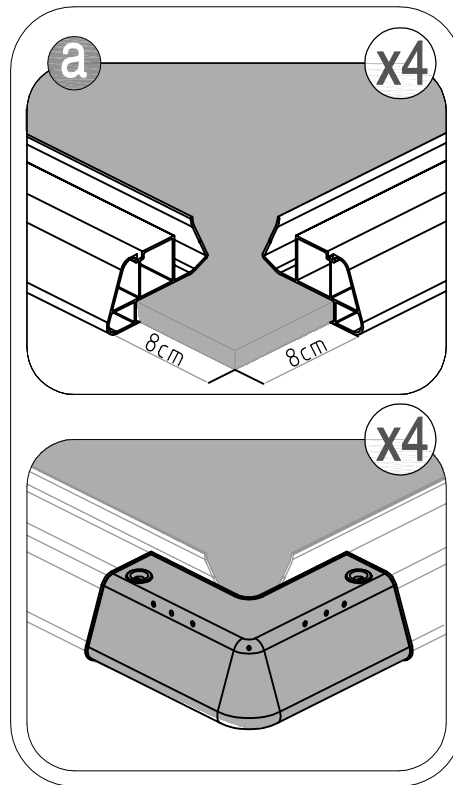
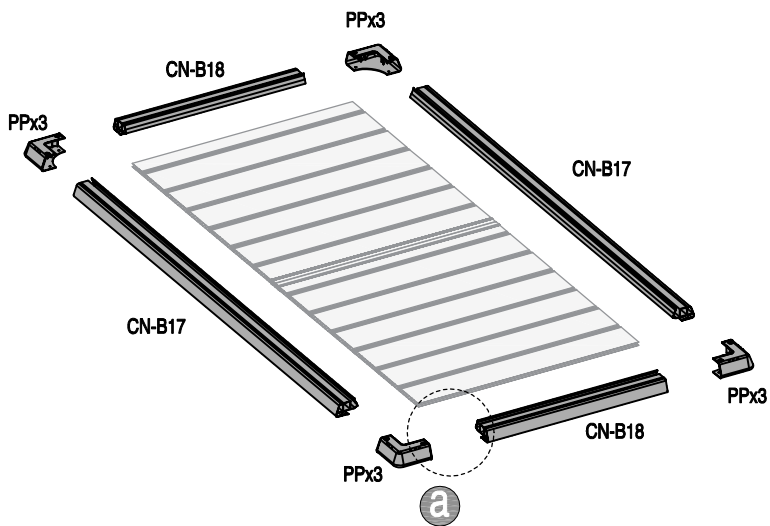
CN-B17
x2



CN-B18
x2



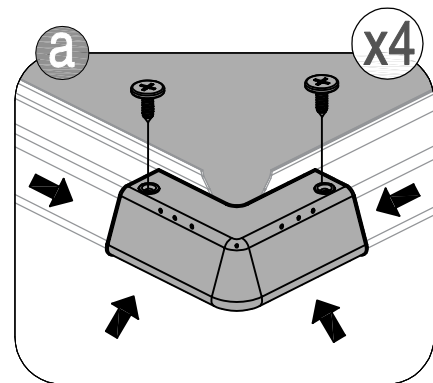
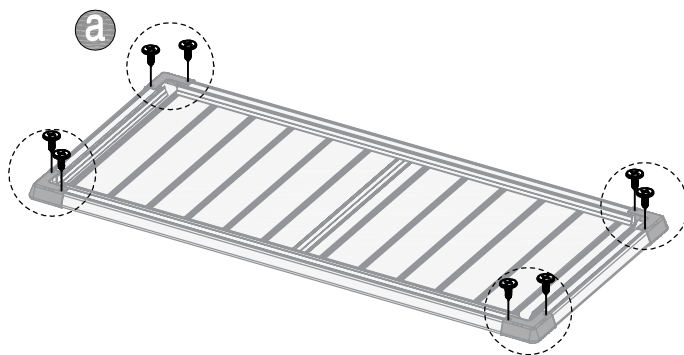
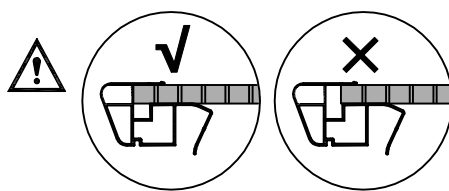
PPx3
x4



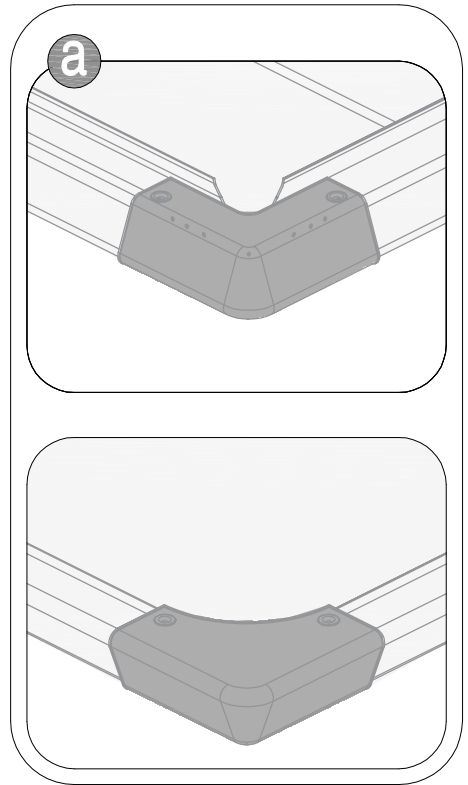
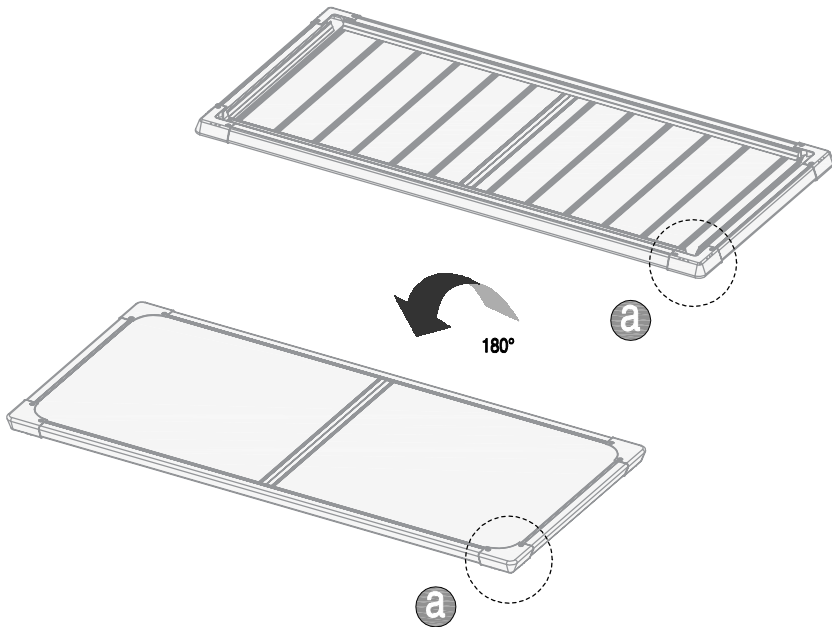
25



CN-B24
x8

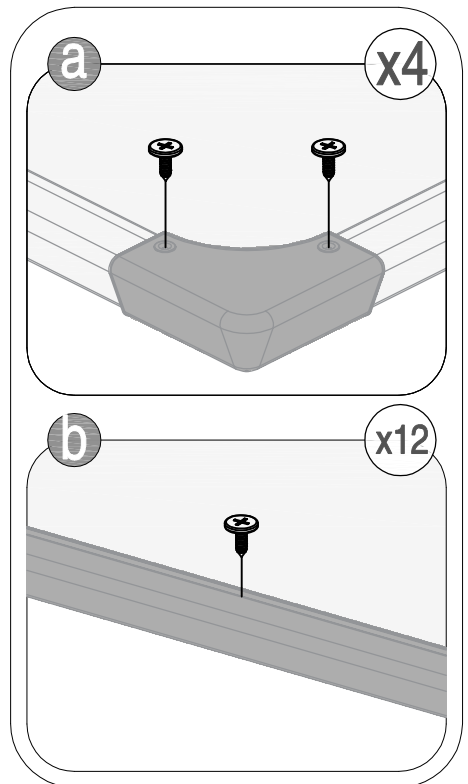
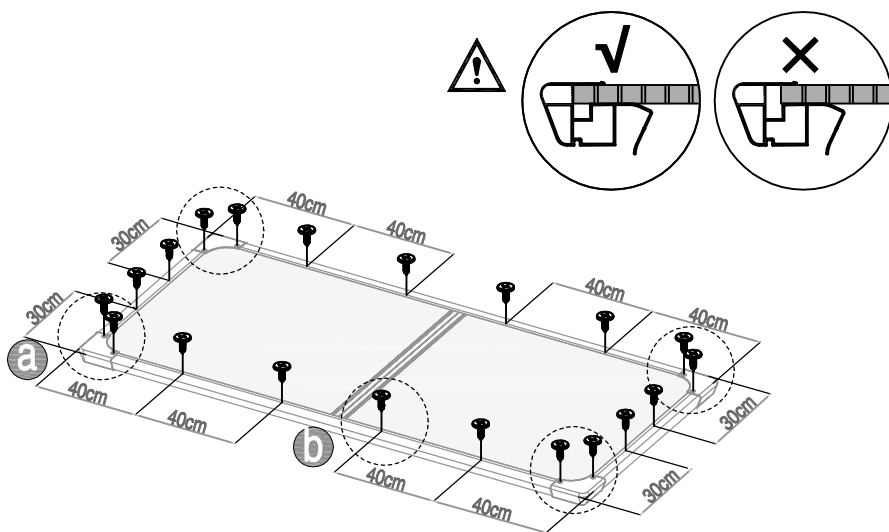


26



27

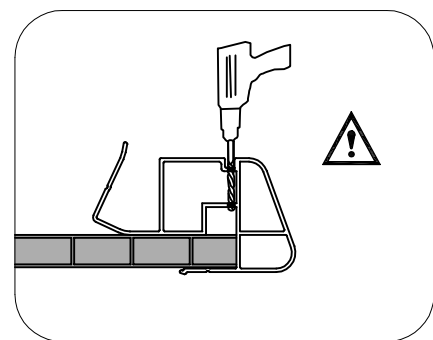
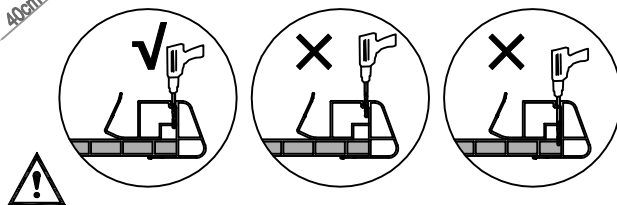
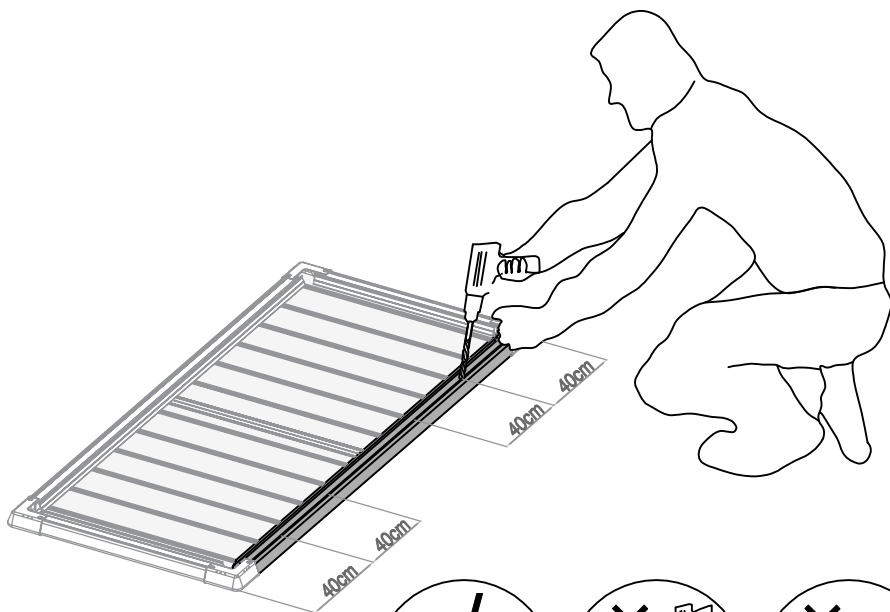

CN-B25
x20



28



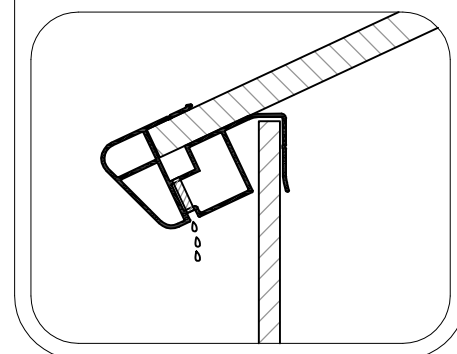
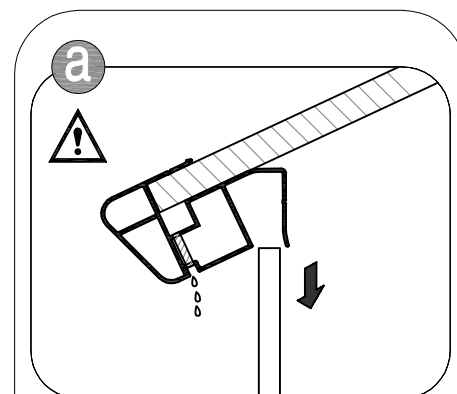
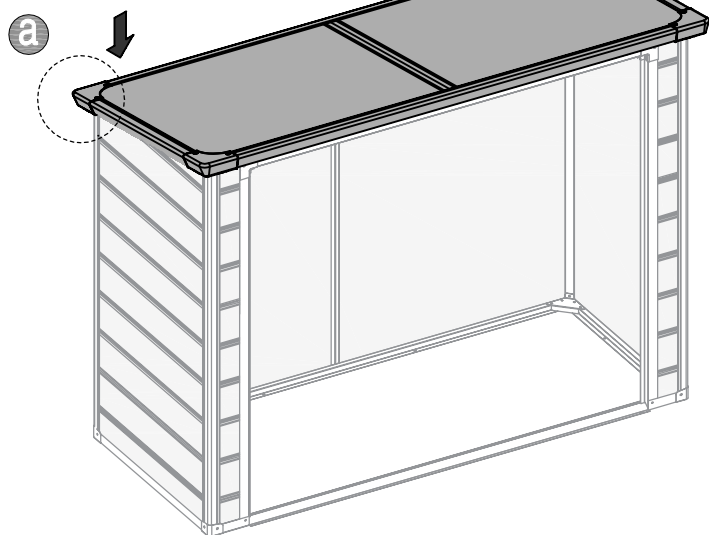
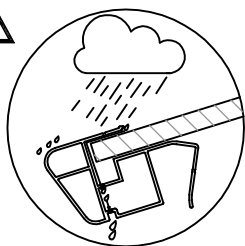
Ø8mm



29



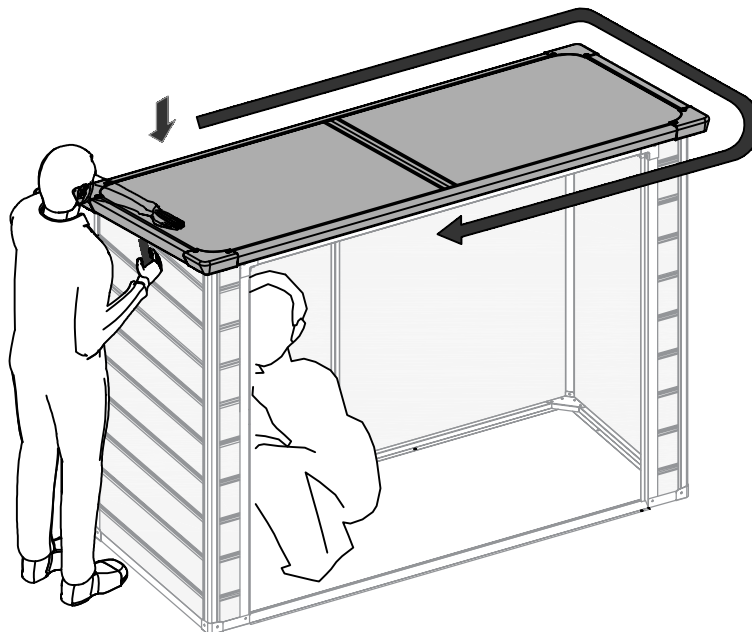
CN-A33



30



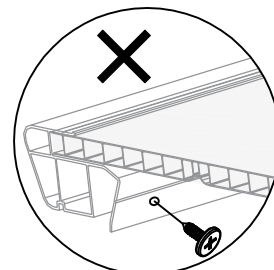
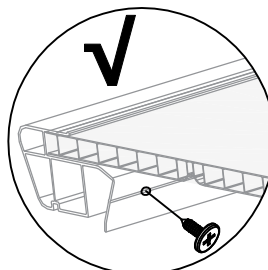
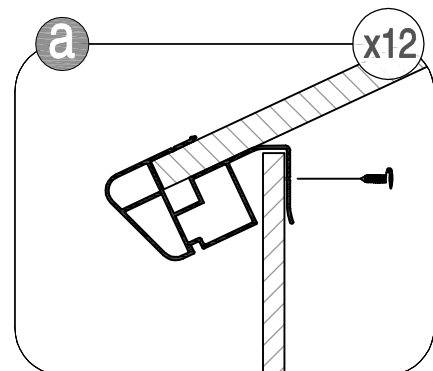
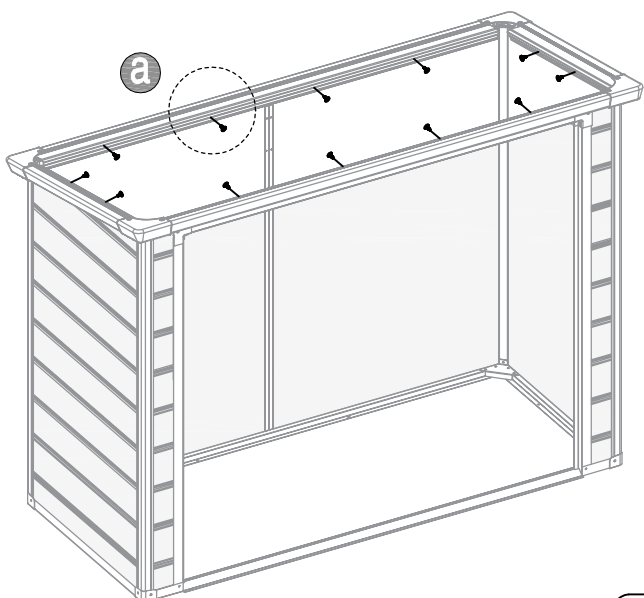
CN-A33



31



CN-B25
x12



32



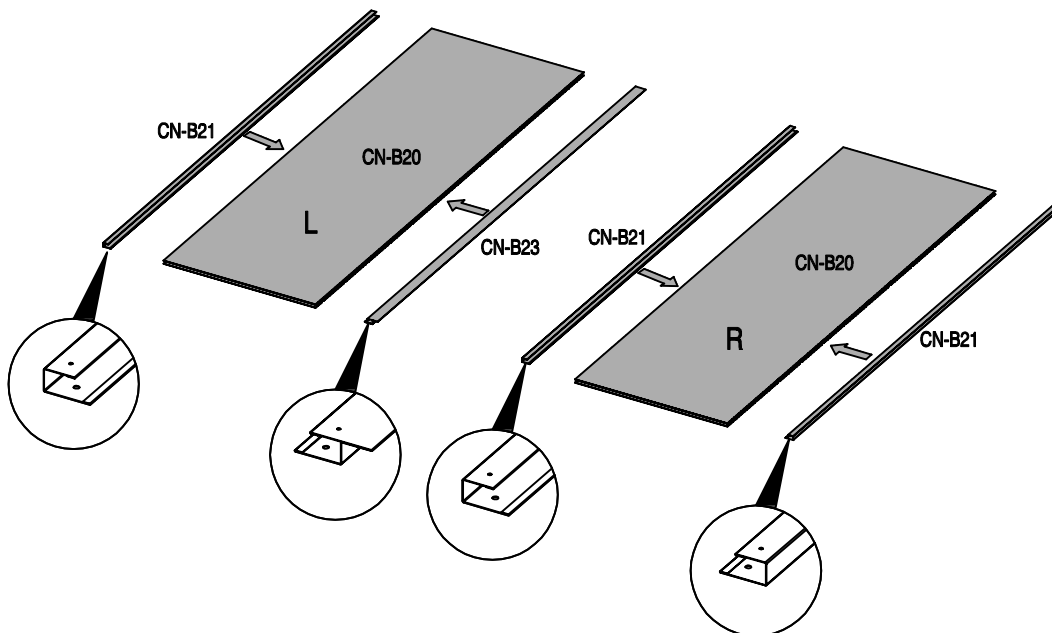
CN-B21
x3



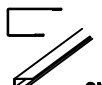
CN-B23
x1



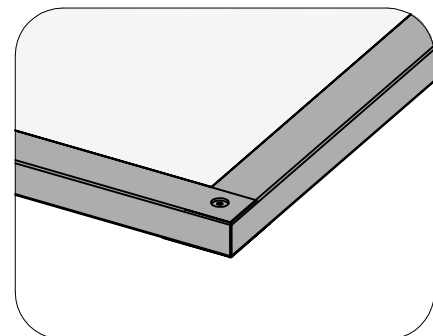
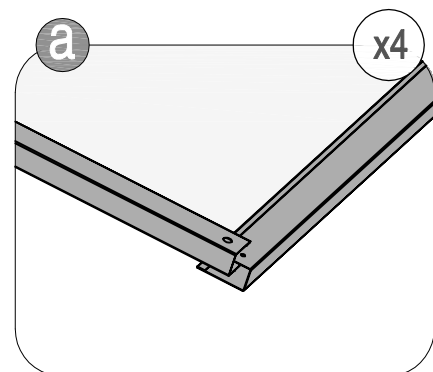
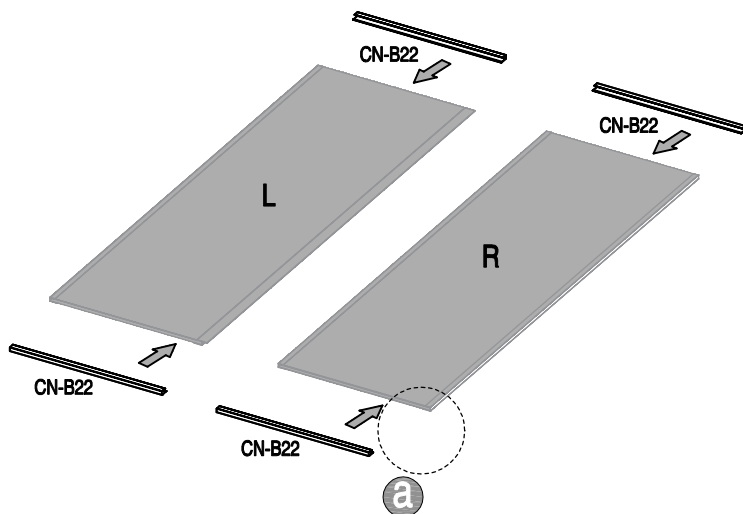
CN-B20
x2



33



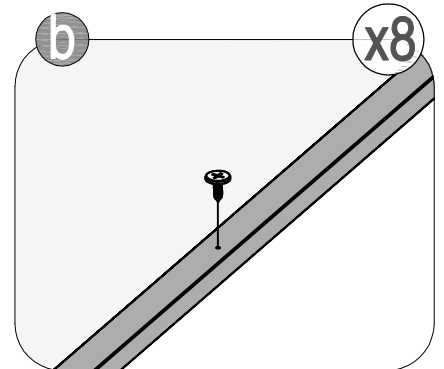
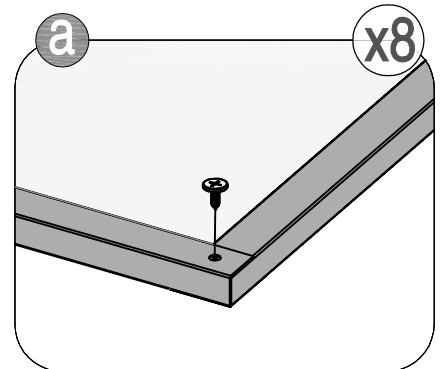
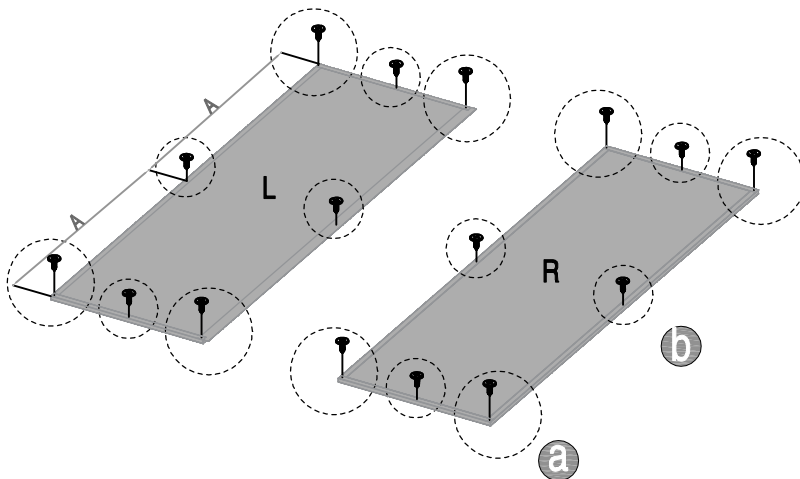
CN-B22
x4



34



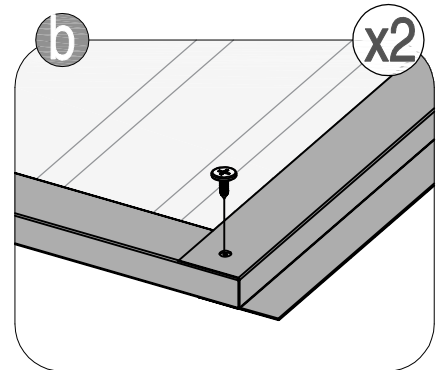
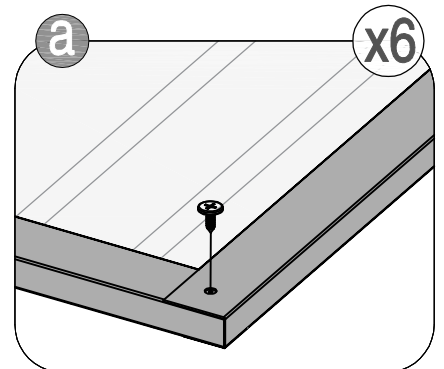
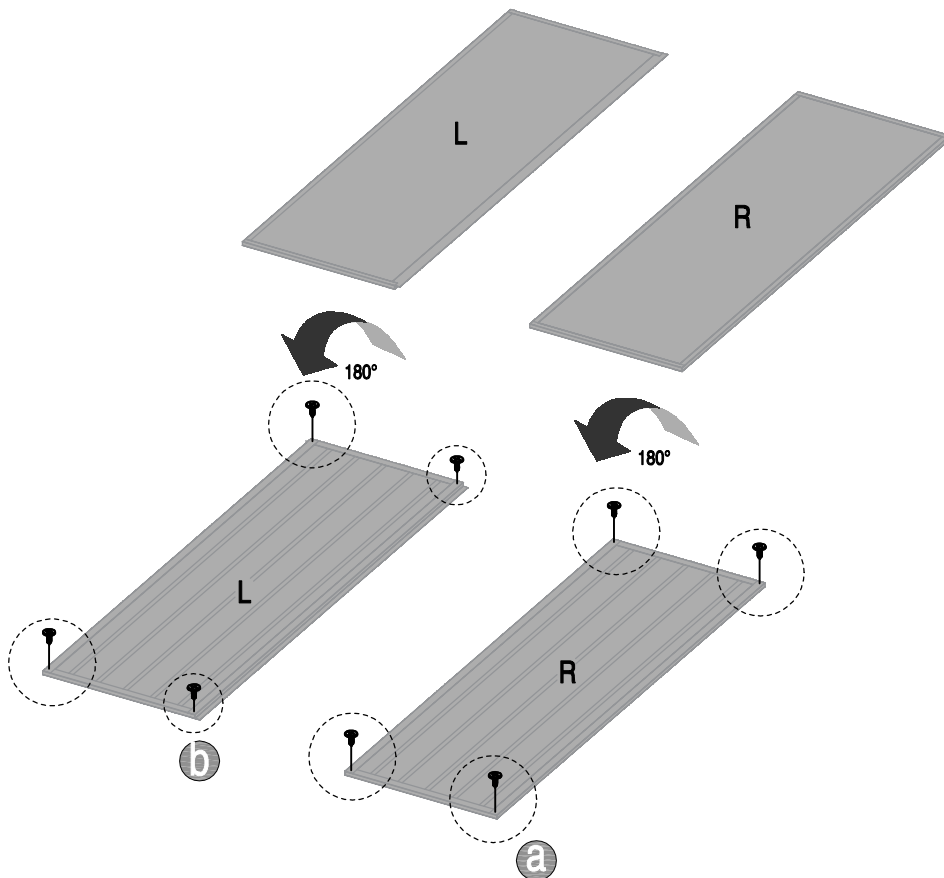
CN-B24
x16



35



CN-B24
x8



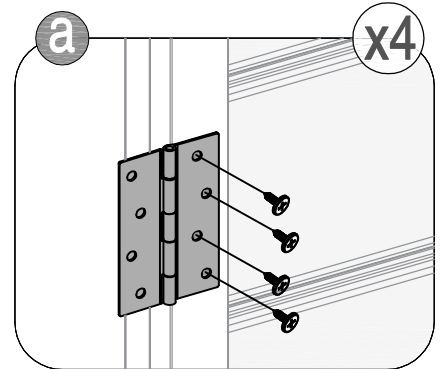
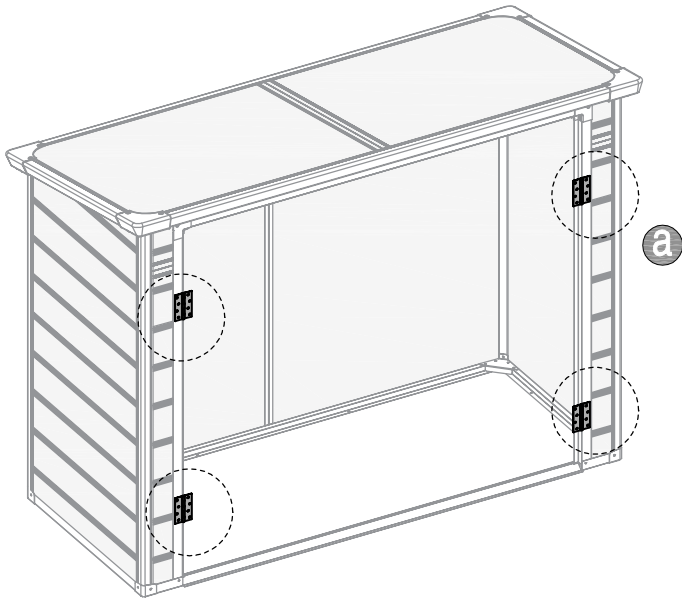
36



VA-41
x4



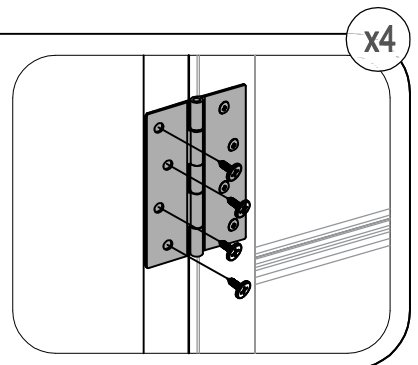
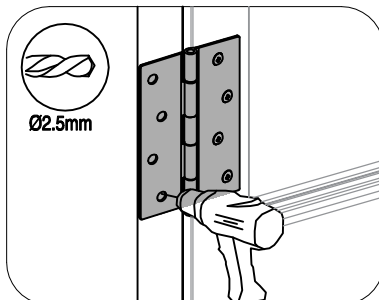
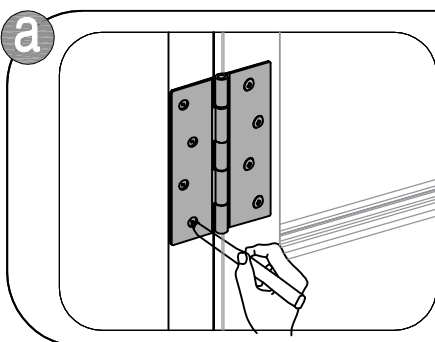
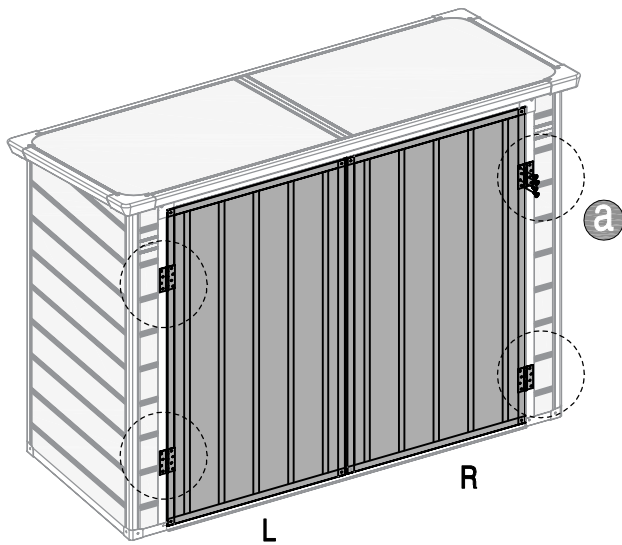
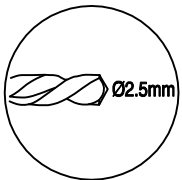
CN-B24
x16



37



CN-B24
x16



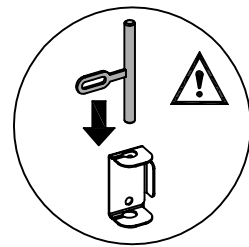
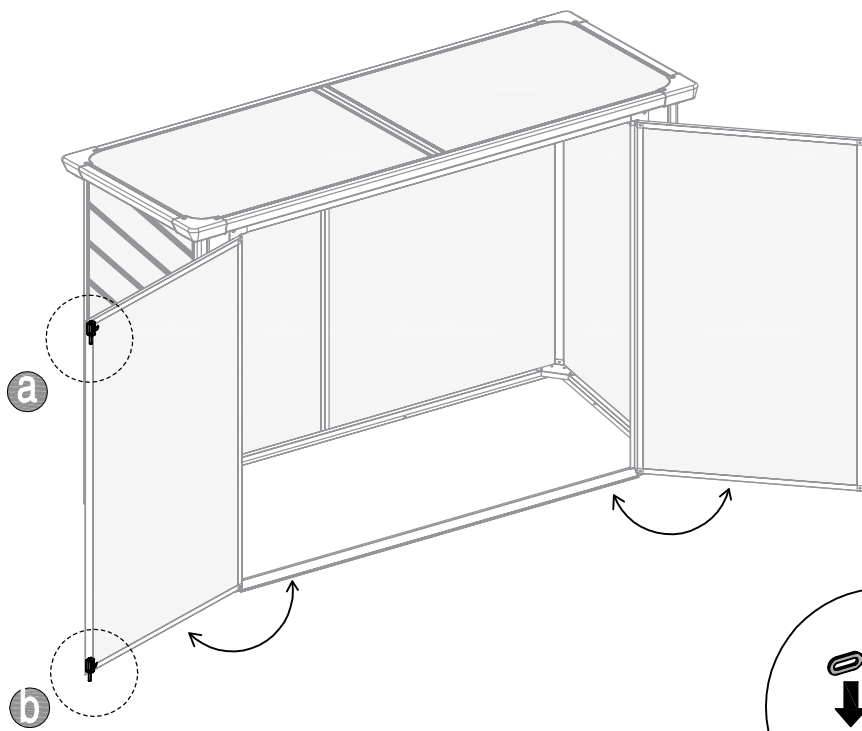
38



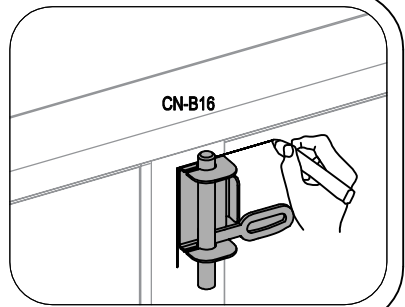
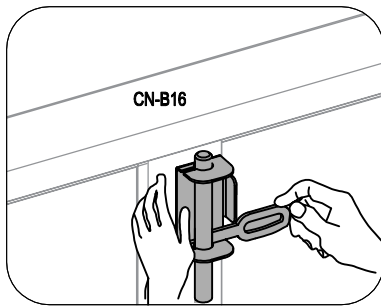
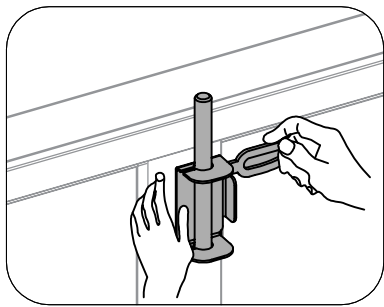
VA-38a
x2



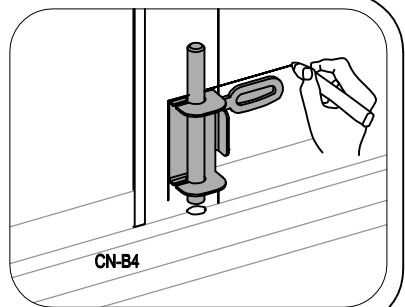
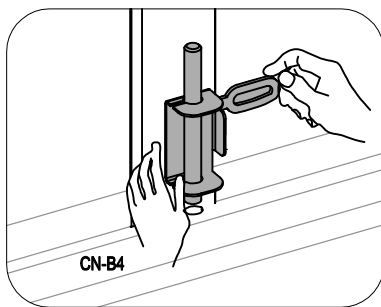
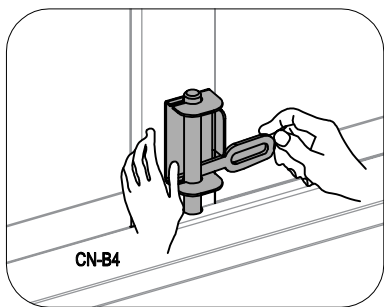
VA-38b
x2



a



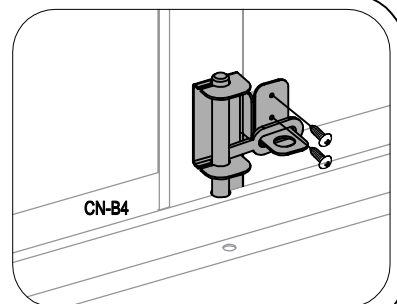
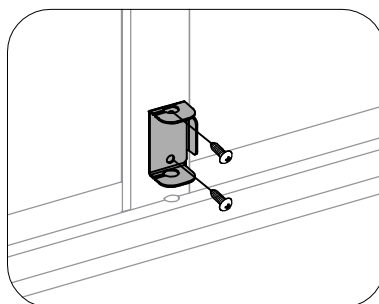
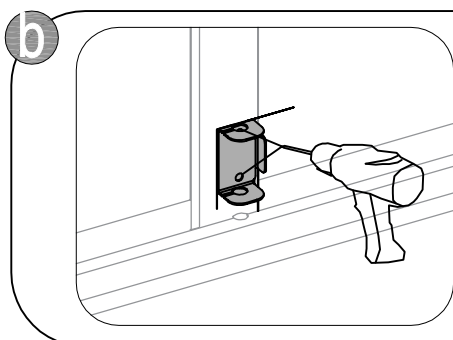
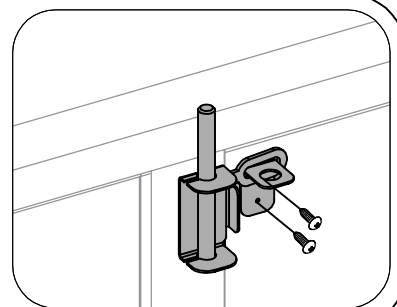
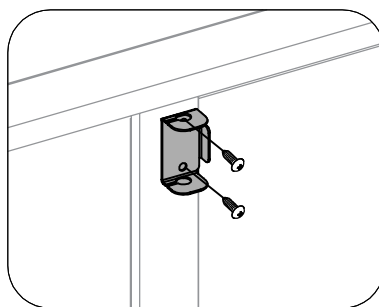
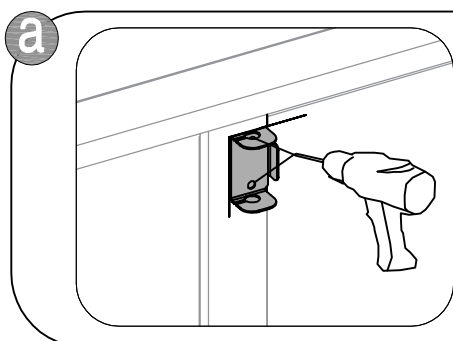
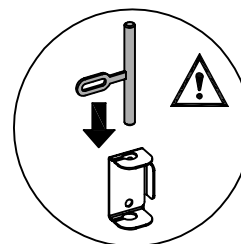
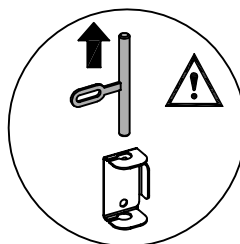
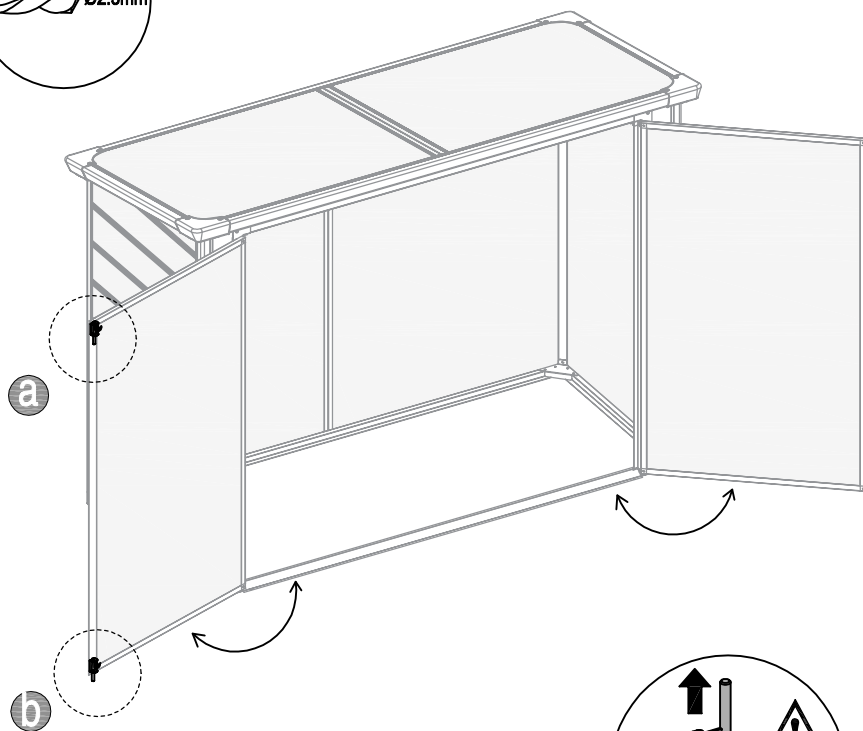
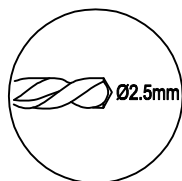
b



39

CN-B29
x8

VA-39
x2



40



VA-40
x1



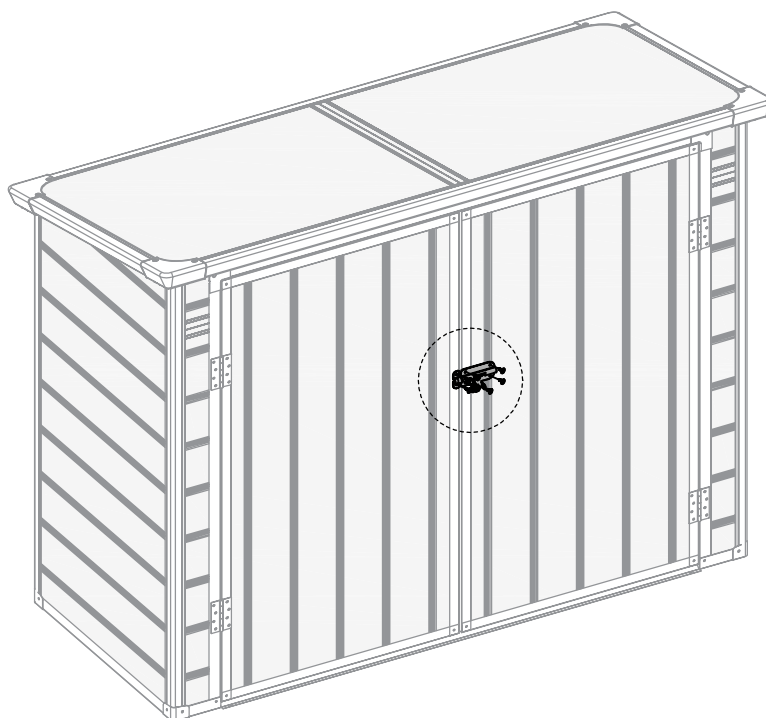
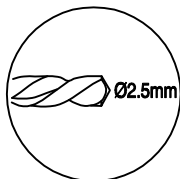
CN-B24
x4



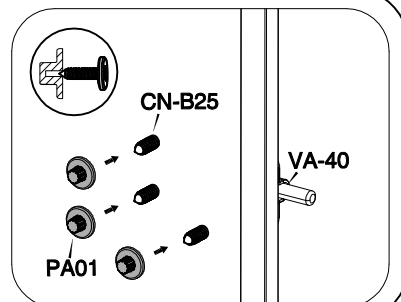
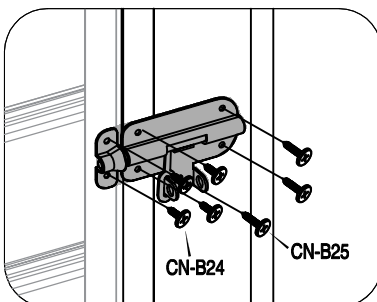
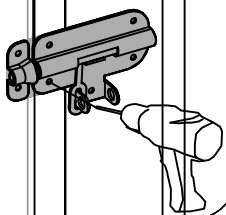
CN-B25
x3



PA01
x3



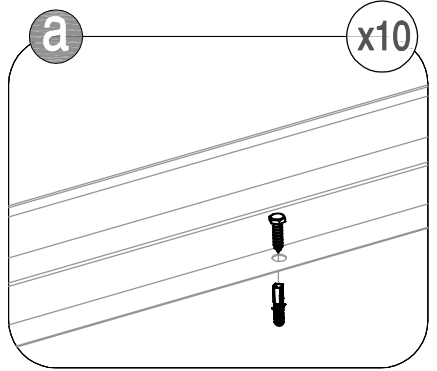
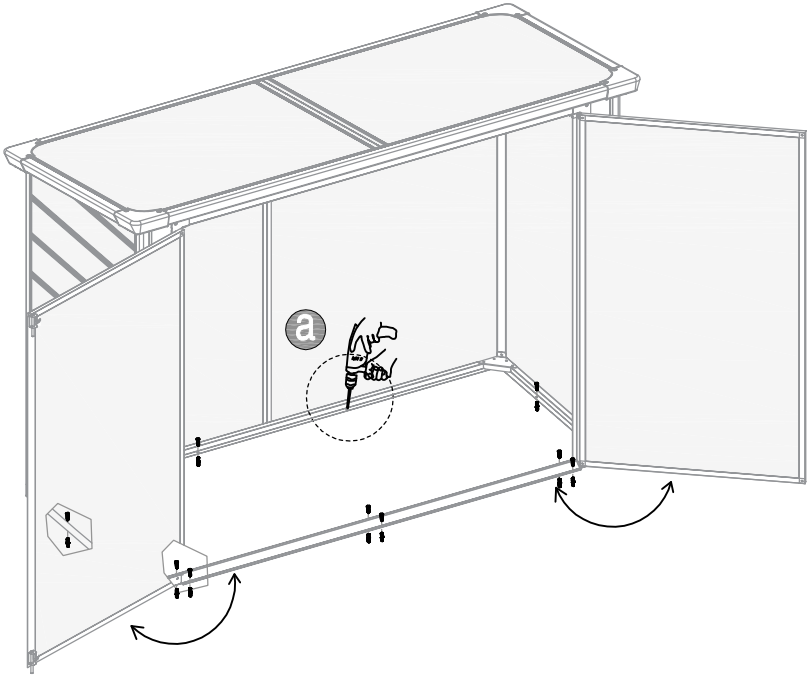
a



41



CN-B28
x10



42



CN-B8

